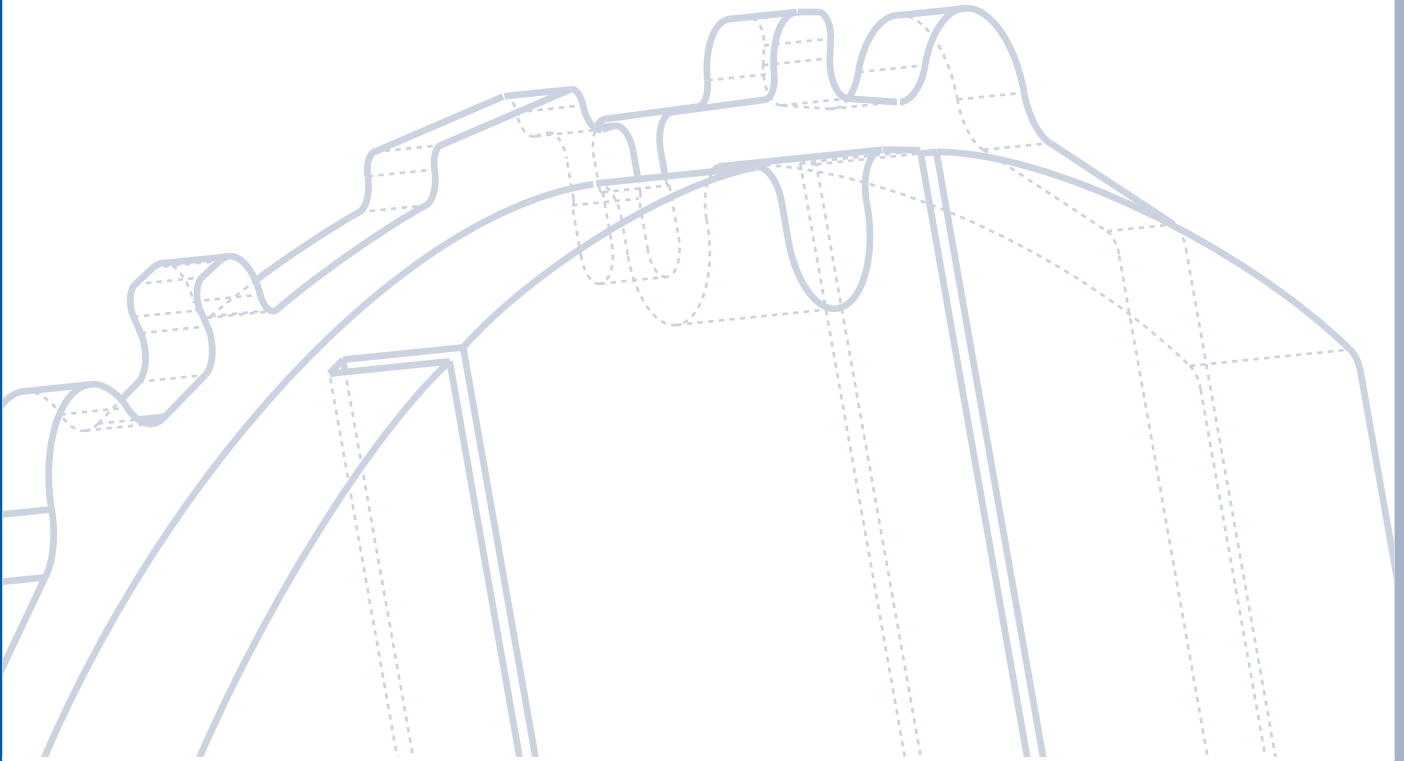




EREN
E990R-01-988/2935 EREN 4880 M71 19939 PN-144915


EREN[®]
B A L A T A









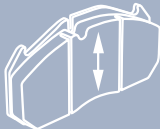



**COMMERCIAL VEHICLES
DISC BRAKE PADS**

**AFTERMARKET
PRODUCT CATALOGUE**





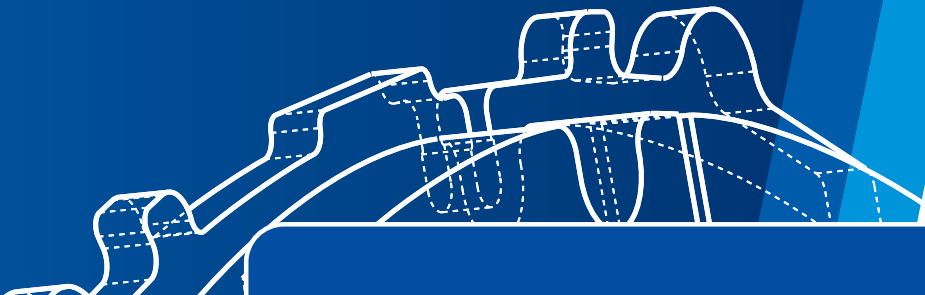
SYMBOLS



EREN CODE	Eren Code		Make and Models Applications
WVA CODE	International Code		Front and Rear Position
R-90	ECE R-90 Applications		Thickness
	Quantity		Width
	Year		Height
	Page Number		Thickness
	Set Composition		



INDEX

LIST OF REFERENCES	6-9	Applications with Eren code
LIST OF REFERENCES	10-13	Applications with WVA code
LIST OF ILLUSTRATIONS	14-64	Technical illustrations of the products



APPLICATIONS	EREN CODE	VVA CODE		
SETRA KASSBOHRER BUS	D-007	29015	74-89	14
MERCEDES AXOR	D-008	29246	11-	15
MERCEDES AXOR	D-009	29244	11-	16
KASSBOHRER SETRA S 209 HM	D-010	29510	77-01	17
MAN / VOLVO / SCANIA / DAF / BPW	D-011	29211	-	18
IVECO EURO CARGO 120 E - 150 E SERIES	D-032	29032	90-	19
RENAULT MAGNUM AE SERIES 380 - 385 - 500	D-043	29043	88-92	20
MERCEDES AXOR - ACTROS / MAN TGA / NECO / DAF	D-087	29105	95-	21
RENAULT MIDLUM MIDLINER	D-099	29099	97-	22
MERITOR LM AXLE	D-124	29124	98-01	23
VOLVO FH SERIES	D-125	29125	00-	24
VOLVO FL SERIES	D-137/1	29151	00-	25
RENAULT MIDLUM 210 - 220 - 250 - 270	D-142	29142	01-	26
SAF AXLE / SCANIA 4 SERIES	D-143	29120-29143-29176	91-	27
RENAULT MIDLUM / VOLVO FL SERIES	D-147	29147	-	28
SAF, SCHMITZ, KNORR	D-158	29158	-	29
RENAULT / SAF SAUER / ISUZU CITY BUS	D-159	29159	03-	30
BPW TRAILER	D-165	29165	03-	31
BPW TRAILER	D-167	29167	03-	32
VOLVO F SERIES	D-169	29169	-	33
BPW TRAILER	D-171	29171	96-	34
VOLVO FL SERIES / RENAULT MIDLUM	D-173	29173	06-	35
RENAULT 440 PREMIUM / VOLVO FE FM SERIES	D-174	29174	04-	36
RENAULT R 420 - RENAULT MAGNUM / MAN TGA	D-181	29131	00-	37
OPTARE - TEMPO BUS	D-187	29187	-	38
OPTARE - TEMPO BUS	D-188	29188	-	39
SAF AXLE	D-195	29195	-	40
BPW TRAILER	D-227	29227	11-	41
BPW TRAILER	D-228	29228	11-	42
MERCEDES - IVECO - MAN	D-253	29253	-	43
IVECO EURO CARGO	D-256	29256	-	44
MAN TGA X	D-279	29279	11-	45
MERCEDES AXOR - ACTROS / MAN TGA / IVECO / SCANIA	D-300	29087	95-	46
MERCEDES ATEGO / BPW / DAF / MAN	D-301	29094	95-	47
MERCEDES ATEGO / MAN TGL SERIES	D-302	29115	98-	48
MERCEDES ATEGO / MAN TGL SERIES	D-302/1	29148	98-	49
SAF AXLE	D-303	29162	04-	50
BPW TRAILER, KNORR SN6	D-306	29306	-	51
BPW TRAILER, KNORR SN7	D-307	29307	-	52
BPW TRAILER, KNORR SK7 MA7	D-308	29308	-	53

Disc Brake Pads

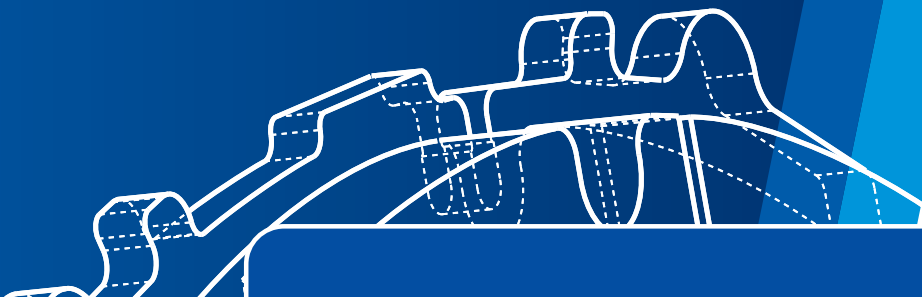
MAKE AND MODEL APPLICATIONS



ECE R-90



			Qty	ECE R-90			
•	•		4		257,00	113,50	19,50
•			4	ⓔⓓ	244,30	113,92	29,50
	•		4	ⓔⓓ	207,30	113,92	29,50
•			4		386,00	139,50	29,00
	•		4		216,00	113,25	29,50
•			4		205,70	110,00	25,00
•	•		4		204,00	95,50	24,00
•	•		4	ⓔⓓ	246,85	109,45	30,00
•	•		4		214,90	111,65	25,00
	•		4	ⓔⓓ	205,50	101,95	27,50
•	•		4	ⓔⓓ	249,35	111,10	29,20
	•		4		215,25	96,60	29,00
•	•		4	ⓔⓓ	204,60	99,00	29,50
	•		4	ⓔⓓ	247,60	108,30	29,50
•	•		4	ⓔⓓ	210,70	93,68	29,50
	•		4	ⓔⓓ	210,70	108,00	29,50
•	•		4	ⓔⓓ	210,40	92,50	28,80
	•		4	ⓔⓓ	210,40	92,40	29,50
	•		4	ⓔⓓ	247,50	109,50	29,50
•			4	ⓔⓓ	210,35	100,00	30,00
•			4	ⓔⓓ	210,40	108,00	29,50
•	•		4	ⓔⓓ	215,90	99,50	29,25
•	•		4	ⓔⓓ	249,00	108,52	29,50
•	•		4	ⓔⓓ	249,45	118,00	29,5
	•		4		249,50	116,90	29,00
•			4		249,50	116,90	30,00
	•		4	ⓔⓓ	210,00	93,70	30,00
•			4	ⓔⓓ	210,00	105,07	29,50
•			4	ⓔⓓ	210,00	117,38	29,50
•			4	ⓔⓓ	247,50	107,50	29,50
•	•		4	ⓔⓓ	175,40	95,00	27,00
•			4	ⓔⓓ	217,45	107,28	30,50
•	•		4	ⓔⓓ	247,50	109,50	29,50
•	•		4	ⓔⓓ	210,70	92,54	29,50
•	•		4	ⓔⓓ	173,40	83,84	27,00
•	•		4	ⓔⓓ	185,17	84,30	34,00
	•		4	ⓔⓓ	210,45	109,20	30,00
	•		4	ⓔⓓ	210,70	92,50	30,00
	•		4	ⓔⓓ	247,50	109,50	30,00
•	•		4	ⓔⓓ	210,70	108,00	30,00



APPLICATIONS

**VVA
CODE**

**EREN
CODE**



10

MERCEDES L SERIES 207 - 208 - 307 - 407 - 508 / VOLKSWAGEN	20784	D-513	-	59
IVECO - EUROTECH - EUROSTAR	29011	D-525	91-	60
SETRA KASSBOHRER BUS	29015	D-007	74-89	14
FIAT IVECO 85.12 F. / DAF	29024	D-433	-	54
MERCEDES O 403 / MAN S 2000 / RENAULT MAGNUM	29030	D-497	91-	58
IVECO EURO CARGO 120 E - 150 E SERIES	29032	D-032	90-	19
RENAULT MAGNUM AE SERIES 380 - 385 - 500	29043	D-043	88-92	20
RENAULT	29082-29098	D-946	-	63
MERCEDES AXOR - ACTROS / MAN TGA / IVECO / SCANIA	29087	D-300	95-	46
DAF LF / MAN L - M SERIES / BMC PROBUS - PRO 522	29088	D-565	95-	61
RENAULT MAGNUM - PREMIUM / VOLVO B11	29090	D-950	95-	64
MERCEDES ATEGO / BPW / DAF / MAN	29094	D-301	95-	47
RENAULT MIDLUM MIDLINER	29099	D-099	97-	22
MERCEDES AXOR - ACTROS / MAN TGA / NECO / DAF	29105	D-087	95-	21
MERCEDES ATEGO / MAN TGL SERIES	29115	D-302	98-	48
SAF AXLE / SCANIA 4 SERIES	29120-29143-29176	D-143	91-	27
MERITOR LM AXLE	29124	D-124	98-01	23
VOLVO FH SERIES	29125	D-125	00-	24
RENAULT R 420 - RENAULT MAGNUM / MAN TGA	29131	D-181	00-	37
RENAULT MIDLUM 210 - 220 - 250 - 270	29142	D-142	01-	26
RENAULT MIDLUM / VOLVO FL SERIES	29147	D-147	-	28
MERCEDES ATEGO / MAN TGL SERIES	29148	D-302/1	98-	49
VOLVO FL SERIES	29151	D-137/1	00-	25
SAF, SCHMITZ, KNORR	29158	D-158	-	29
RENAULT / SAF SAUER / ISUZU CITY BUS	29159	D-159	03-	30
SAF AXLE	29162	D-303	04-	50
BPW TRAILER	29165	D-165	03-	31
BPW TRAILER	29167	D-167	03-	32
VOLVO F SERIES	29169	D-169	-	33
BPW TRAILER	29171	D-171	96-	34
VOLVO FL SERIES / RENAULT MIDLUM	29173	D-173	06-	35
RENAULT 440 PREMIUM / VOLVO FE FM SERIES	29174	D-174	04-	36
OPTARE - TEMPO BUS	29187	D-187	-	38
OPTARE - TEMPO BUS	29188	D-188	-	39
SAF AXLE	29195	D-195	-	40
MAN / VOLVO / SCANIA / DAF / BPW	29211	D-011	-	18
BPW TRAILER	29227	D-227	11-	41
BPW TRAILER	29228	D-228	11-	42
MERCEDES AXOR	29244	D-009	11-	16
MERCEDES AXOR	29246	D-008	11-	15

Disc Brake Pads

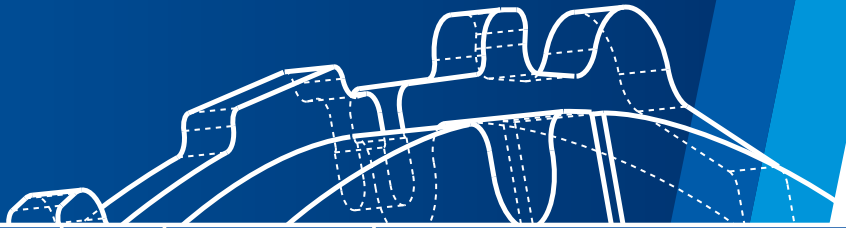
MAKE AND MODEL APPLICATIONS





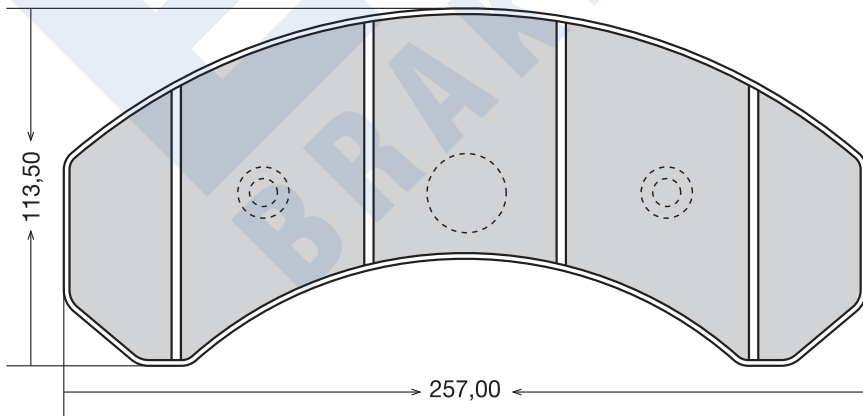
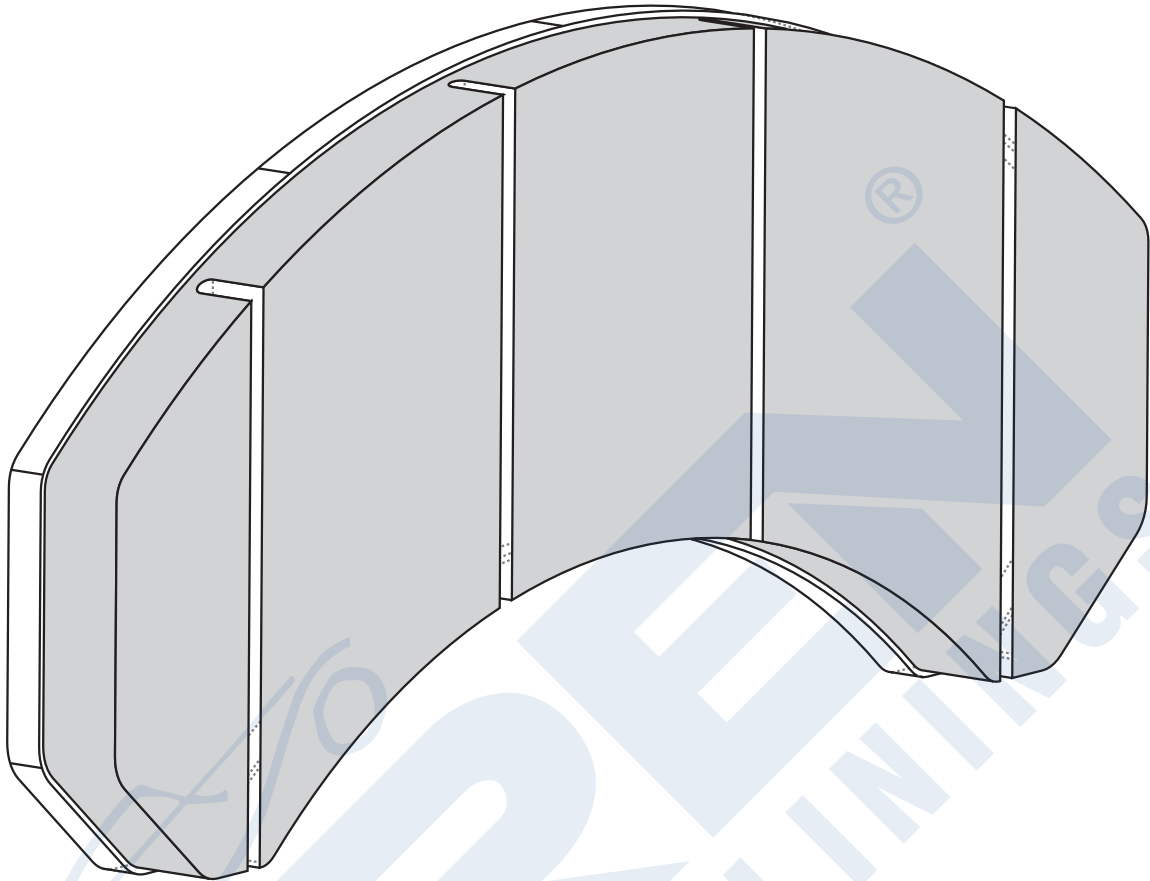
ECE R-90





			Qty	ECE R-90			
•			4		149,00	75,00	18,00
•	•		4	E9	240,80	124,70	25,00
•	•		4		257,00	113,50	19,50
•			8		190,00	85,64	23,00
•	•		4	E9	249,45	118,00	28,00
•			4		205,70	110,00	25,00
•	•		4		204,00	95,50	24,00
•			4		180,00	86,00	20,50
•	•		4	E9	247,50	109,50	29,50
•	•		4	E9	175,40	85,10	25,00
•	•		4	E9	249,45	114,50	28,00
•	•		4	E9	210,70	92,54	29,50
•	•		4		214,90	111,65	25,00
•	•		4	E9	246,85	109,45	30,00
•	•		4	E9	173,40	83,84	27,00
	•		4	E9	247,60	108,30	29,50
	•		4	E9	205,50	101,95	27,50
•	•		4	E9	249,35	111,10	29,20
•	•		4	E9	249,45	118,00	29,5
•	•		4	E9	204,60	99,00	29,50
•	•		4	E9	210,70	93,68	29,50
•	•		4	E9	185,17	84,30	34,00
	•		4		215,25	96,60	29,00
	•		4	E9	210,70	108,00	29,50
•	•		4	E9	210,40	92,50	28,80
	•		4	E9	210,45	109,20	30,00
	•		4	E9	210,40	92,40	29,50
	•		4	E9	247,50	109,50	29,50
•			4	E9	210,35	100,00	30,00
•			4	E9	210,40	108,00	29,50
•	•		4	E9	215,90	99,50	29,25
•	•		4	E9	249,00	108,52	29,50
	•		4		249,50	116,90	29,00
•			4		249,50	116,90	30,00
	•		4	E9	210,00	93,70	30,00
	•		4		216,00	113,25	29,50
•			4	E9	210,00	105,07	29,50
•			4	E9	210,00	117,38	29,50
	•		4	E9	207,30	113,92	29,50
•			4	E9	244,30	113,92	29,50

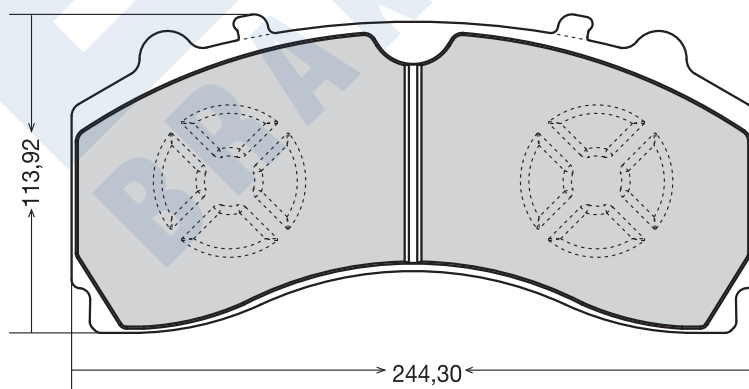
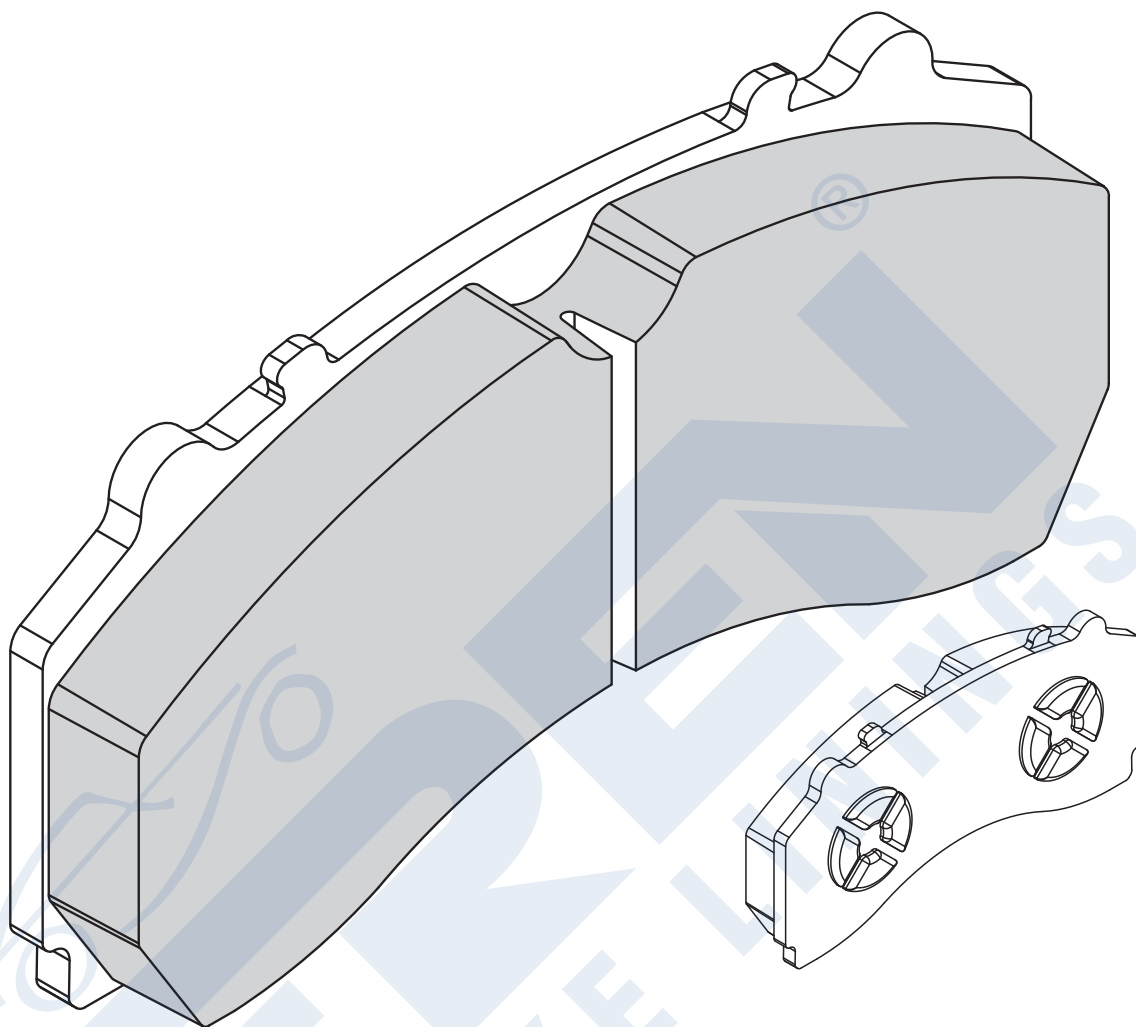


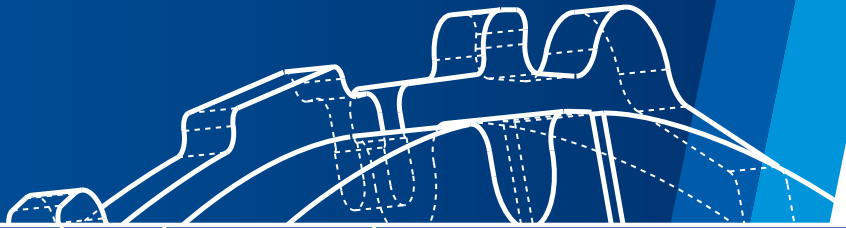
EREN CODE	WVA CODE			ACCESSORY	APPLICATION FOR VEHICLES
D-007	29015	4	19,50		SETRA KASSBOHRER BUS





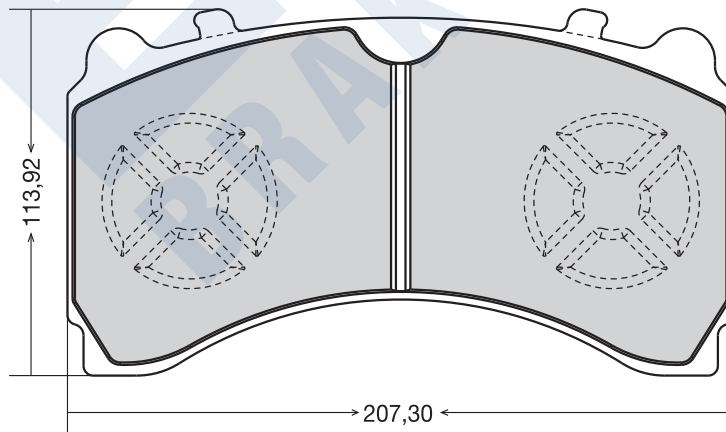
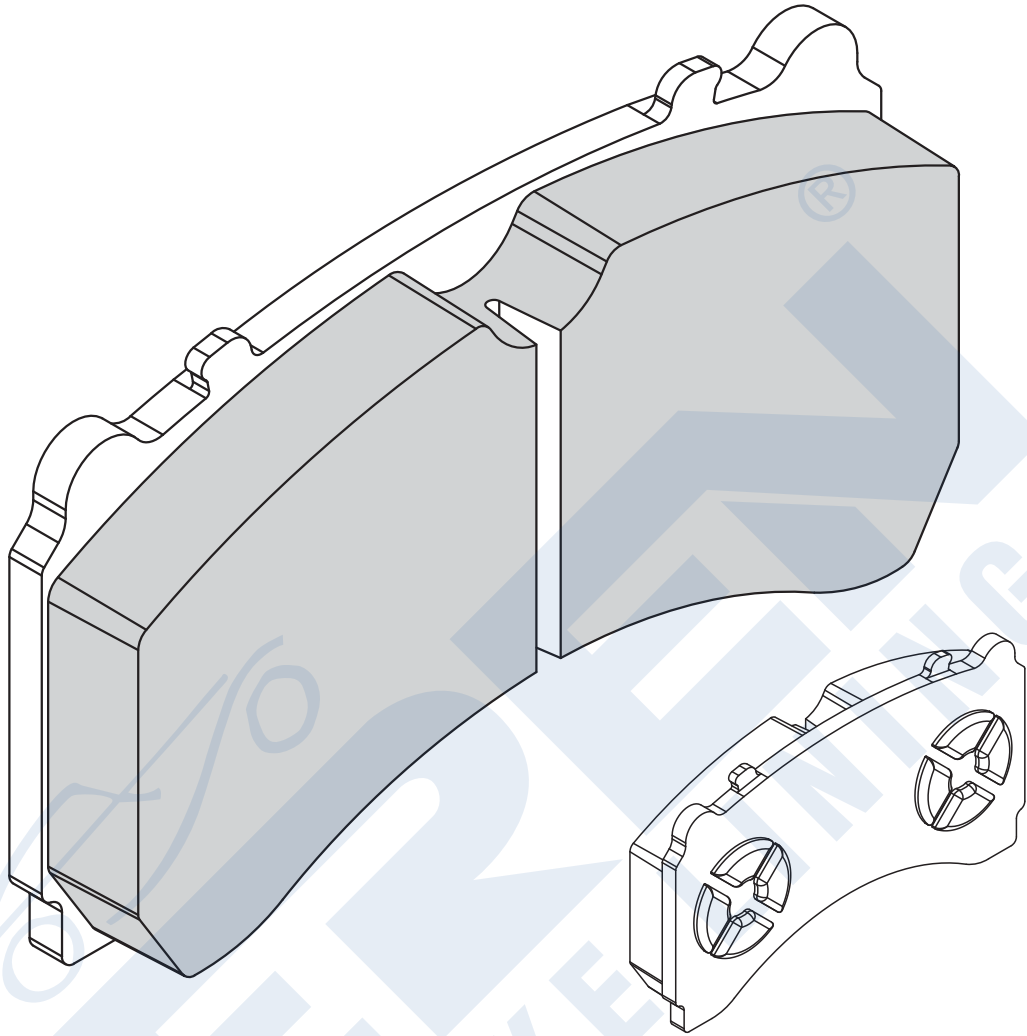
TRUCK, TRAILER & BUS BRAKE PADS REFERENCE NUMBERS AND DRAWINGS

EREN CODE	WVA CODE			ACCESSORY	APPLICATION FOR VEHICLES
D-008	29246	4	29,50	4 spring-2 cap-2 pin 2 washer-2 rubber cap 2 fixing spring 1 spanner	MERCEDES AXOR



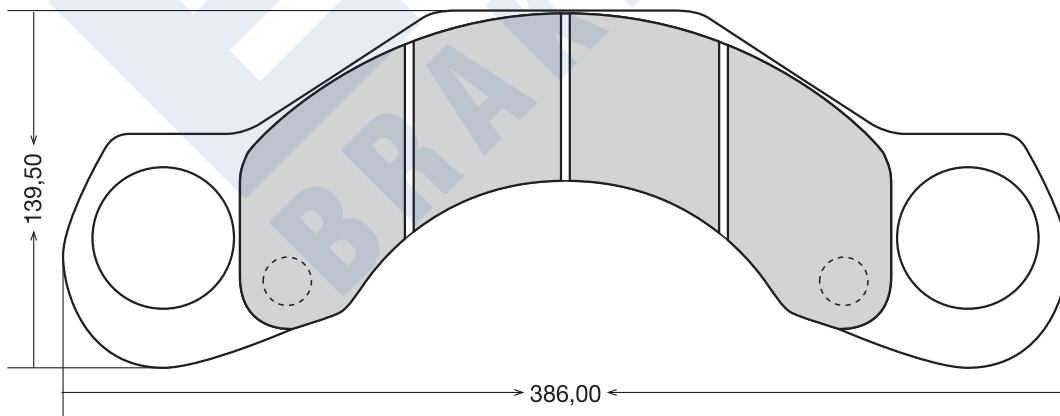
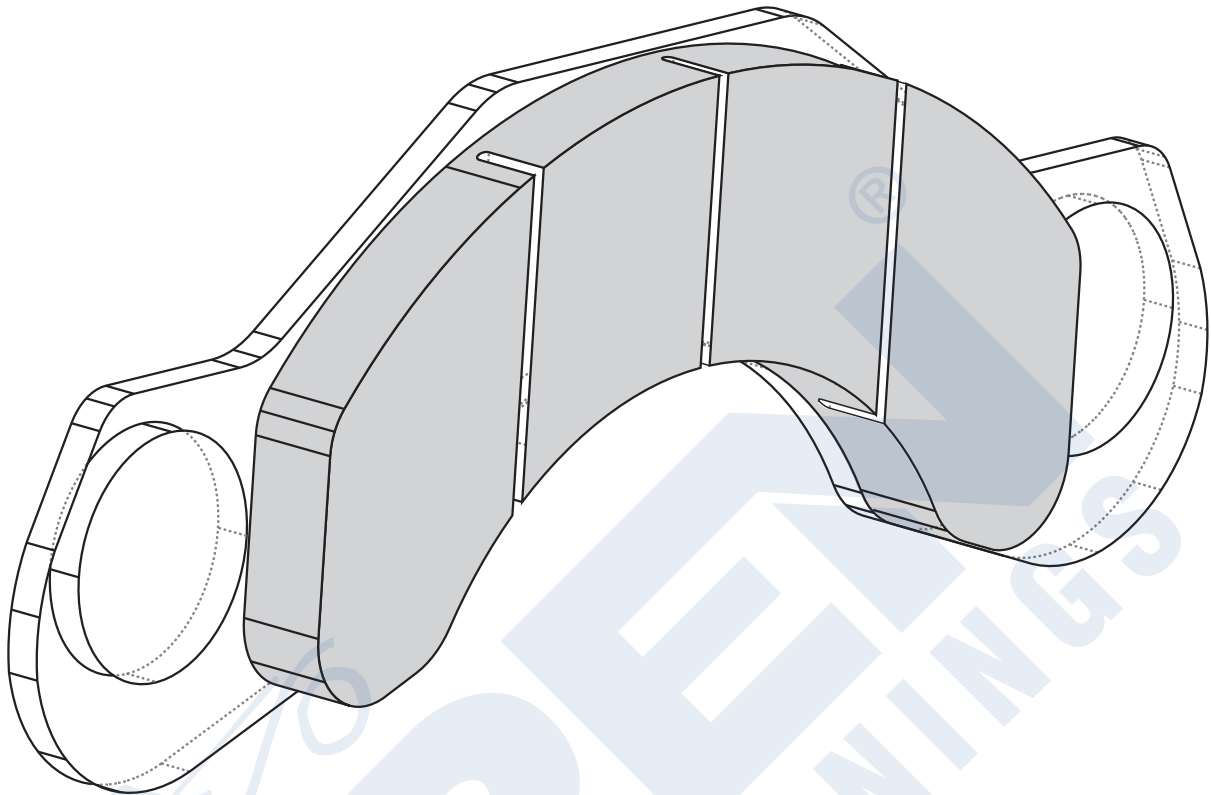


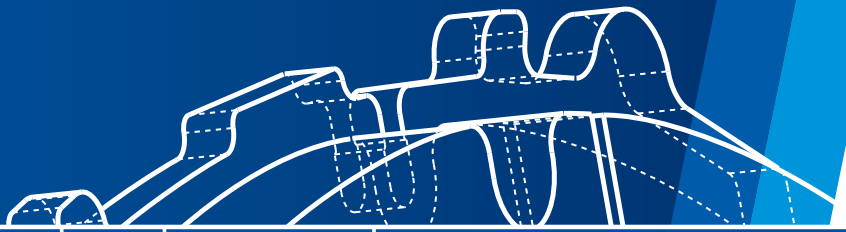
EREN CODE	WVA CODE			ACCESSORY	APPLICATION FOR VEHICLES
D-009	29244	4	29,50	4 spring-2 cap-2 pin 2 washer-2 rubber cap 2 fixing spring 1 spanner	MERCEDES AXOR





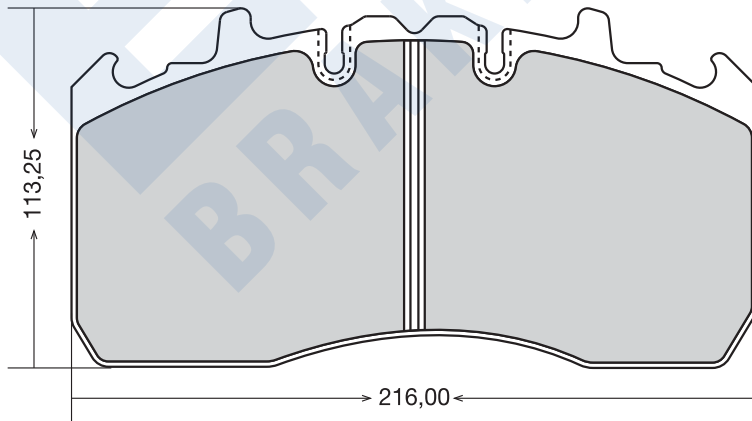
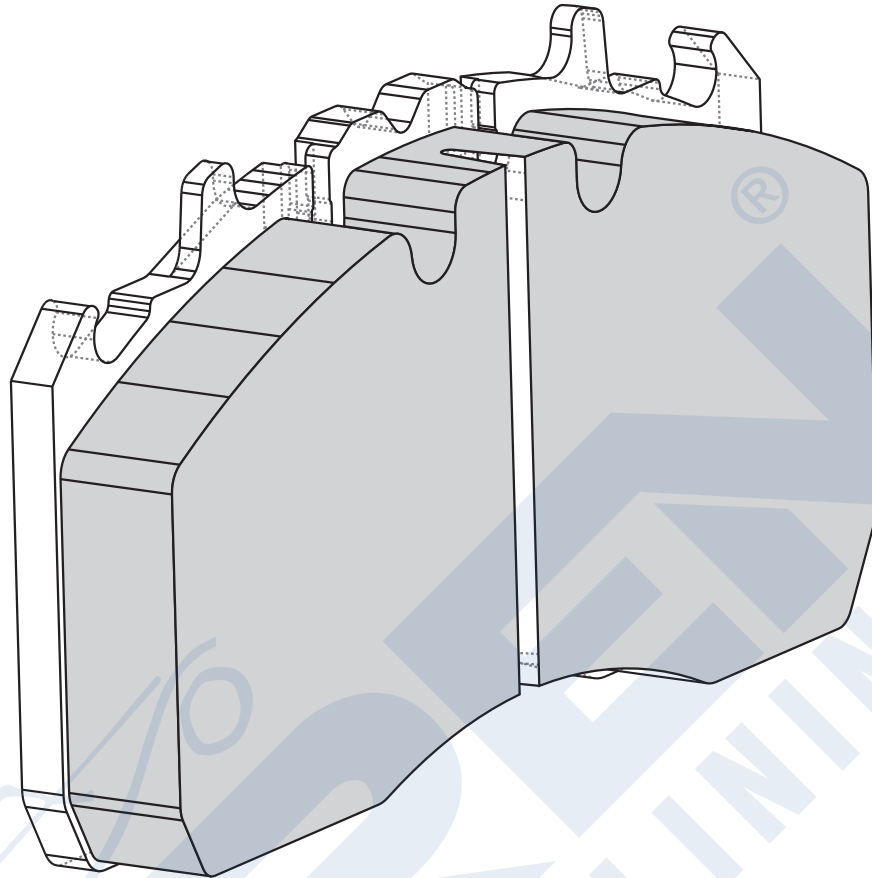
TRUCK, TRAILER & BUS BRAKE PADS REFERENCE NUMBERS AND DRAWINGS

EREN CODE	WVA CODE			ACCESSORY	APPLICATION FOR VEHICLES
D-010	29510	4	29,00		KASSBOHRER SETRA S 209 HM



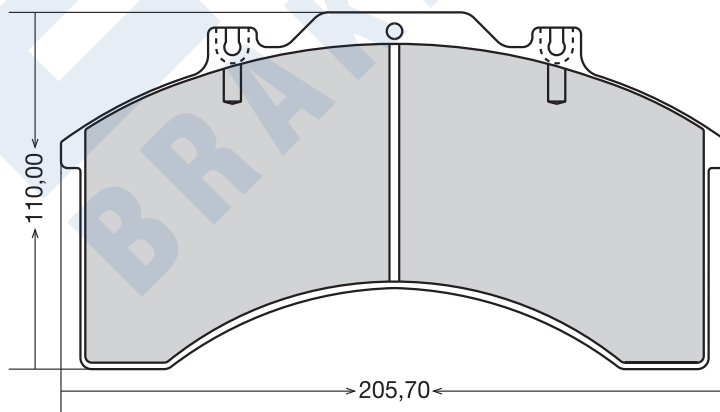
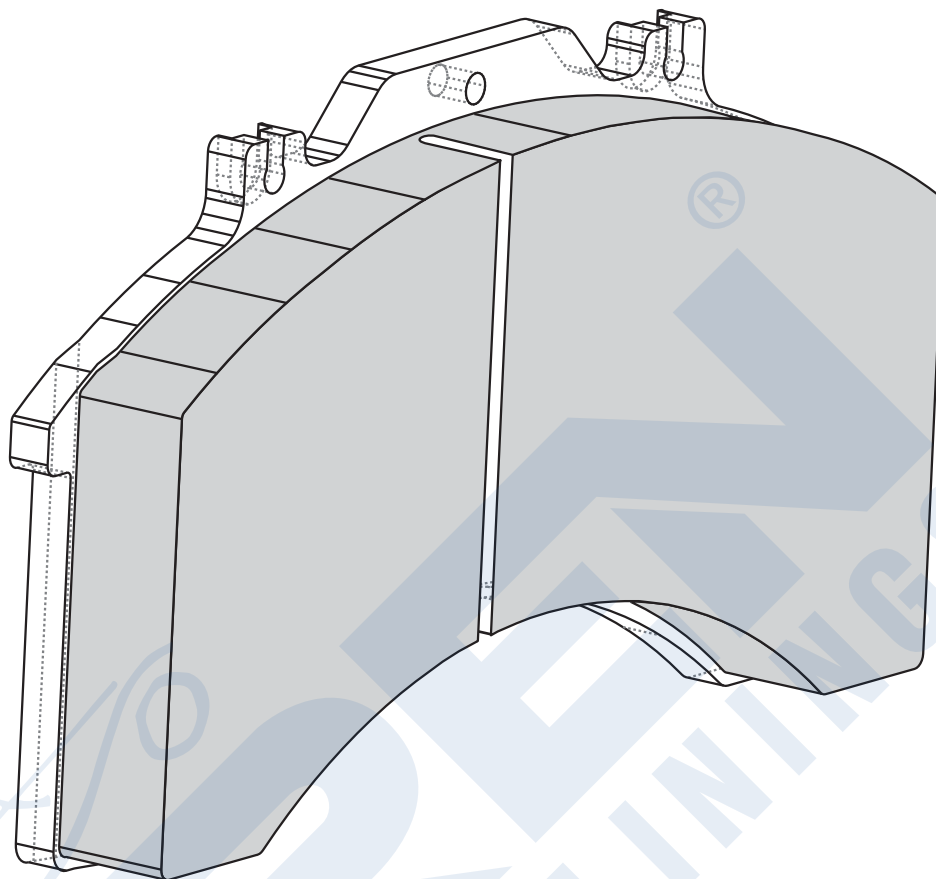


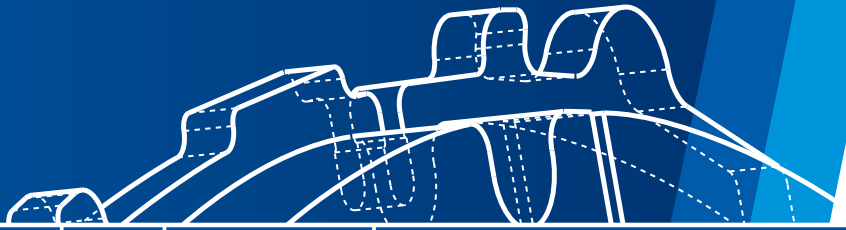
EREN CODE	WVA CODE			ACCESSORY	APPLICATION FOR VEHICLES
D-011	29211	4	29,50	4 spring	MAN / VOLVO / SCANIA / DAF / BPW





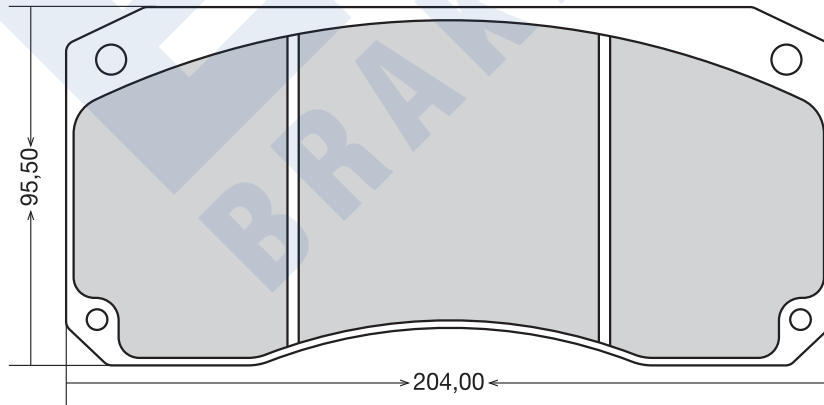
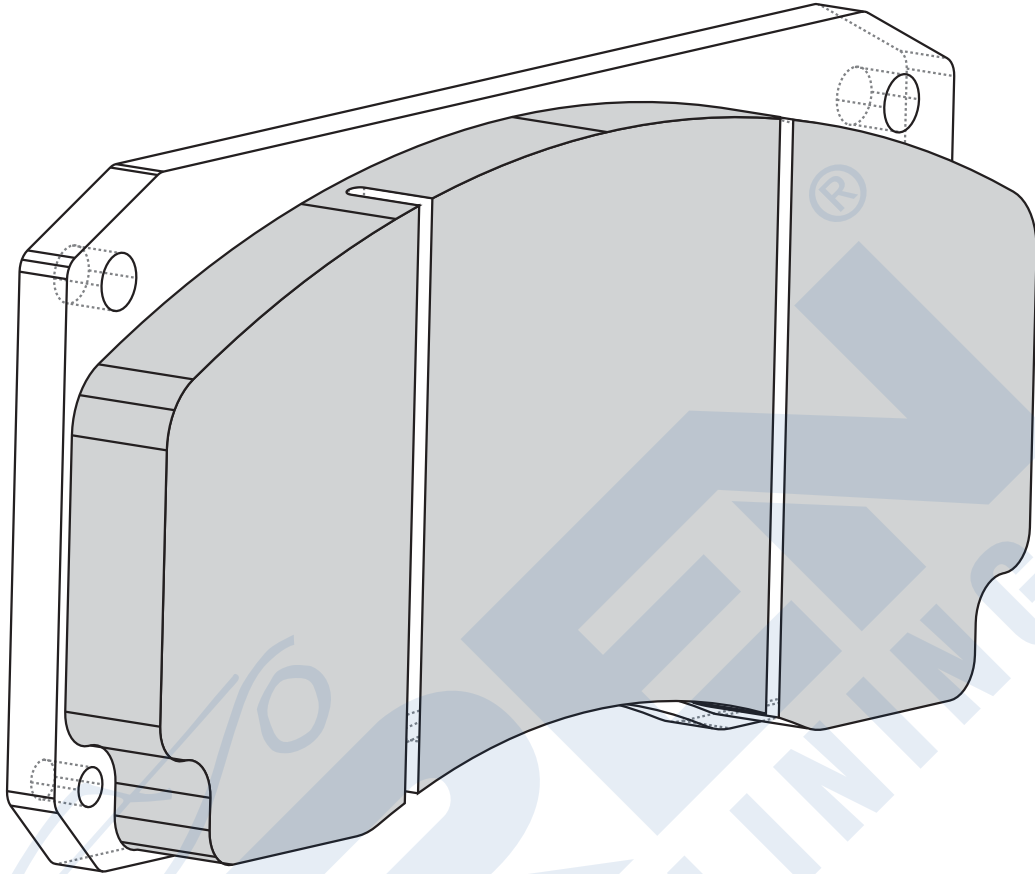
TRUCK, TRAILER & BUS BRAKE PADS REFERENCE NUMBERS AND DRAWINGS

EREN CODE	WVA CODE			ACCESSORY	APPLICATION FOR VEHICLES
D-032	29032	4	25,00	2 wear sensor	IVECO EURO CARGO 120 E - 150 E SERIES







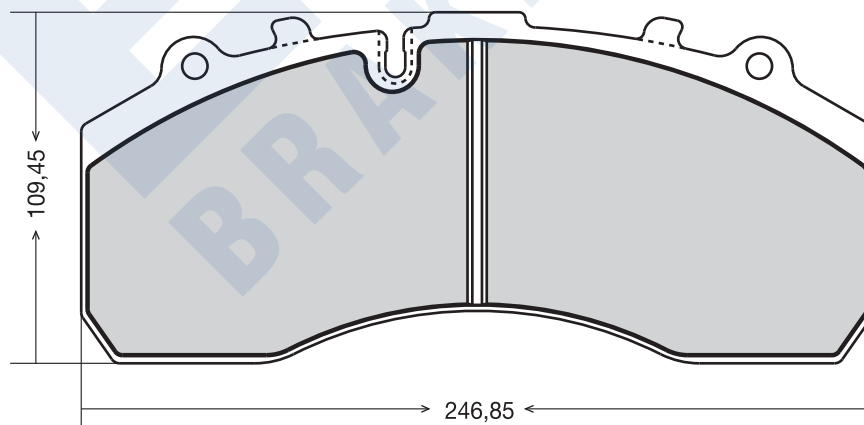
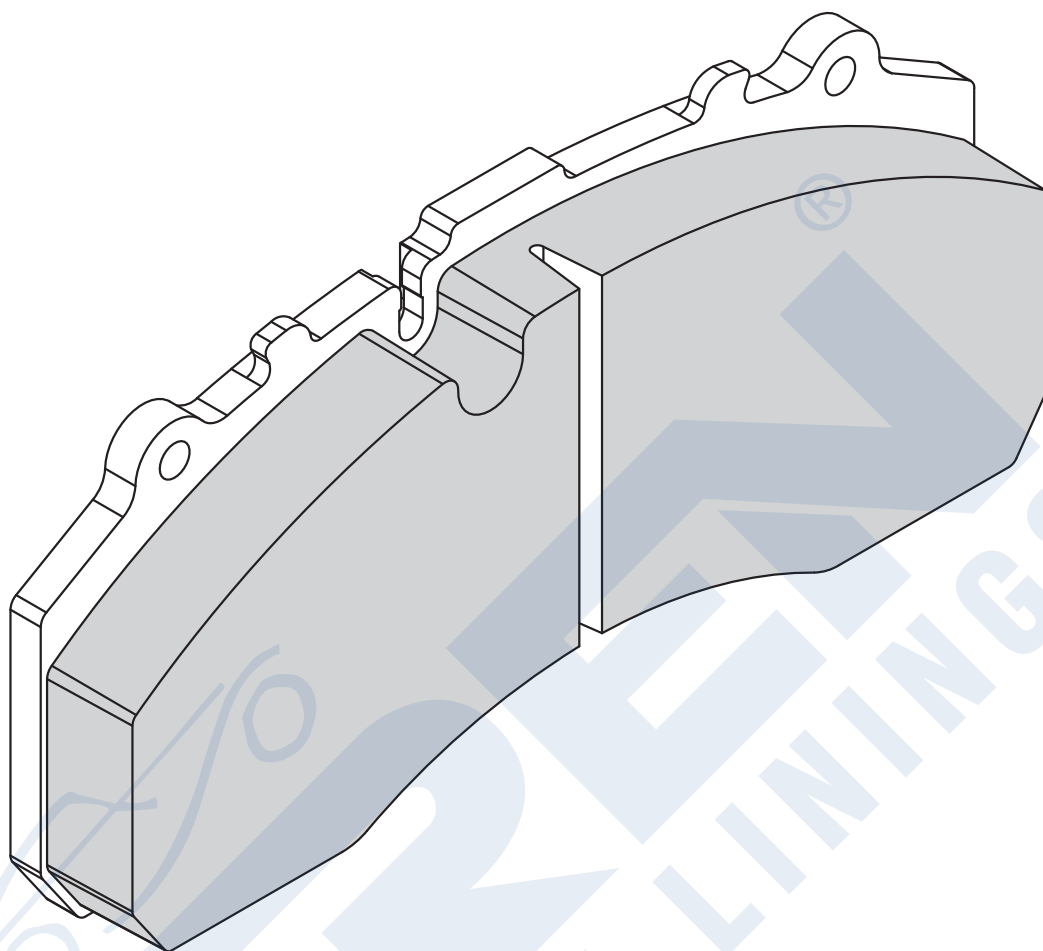
EREN CODE	WVA CODE			ACCESSORY	APPLICATION FOR VEHICLES
D-043	29043	4	24,00		RENAULT MAGNUM AE SERIES 380-385-500

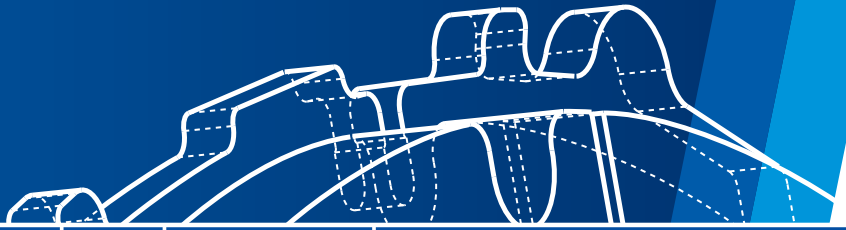




TRUCK, TRAILER & BUS BRAKE PADS

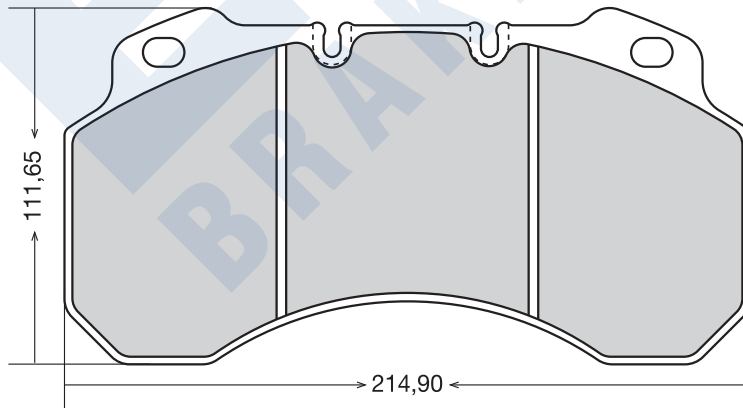
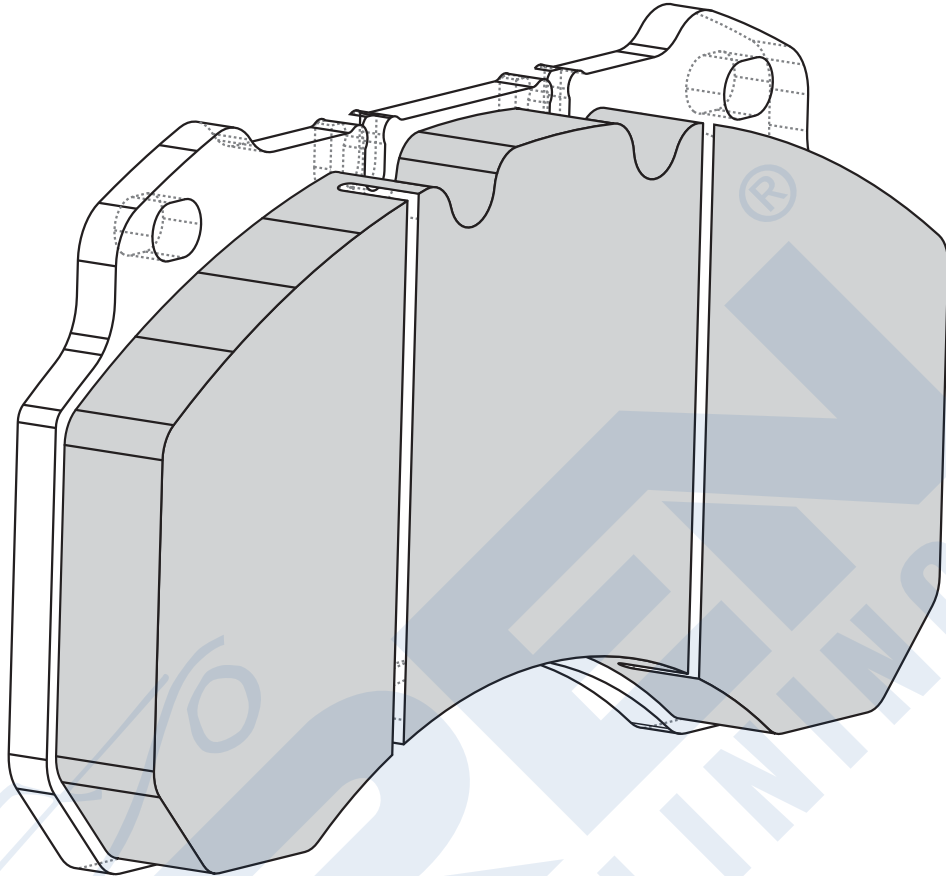
REFERENCE NUMBERS AND DRAWINGS

EREN CODE	WVA CODE			ACCESSORY	APPLICATION FOR VEHICLES
D-087	29105	4	30,00	4 spring-2 cap-2 pin 2 washer-2 rubber cap 2 fixing spring 1 spanner	MERCEDES AXOR-ACTROS / MAN TGA / NECO / DAF





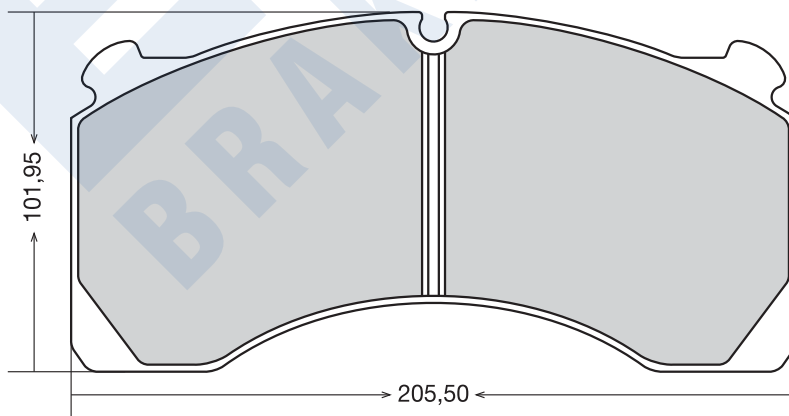
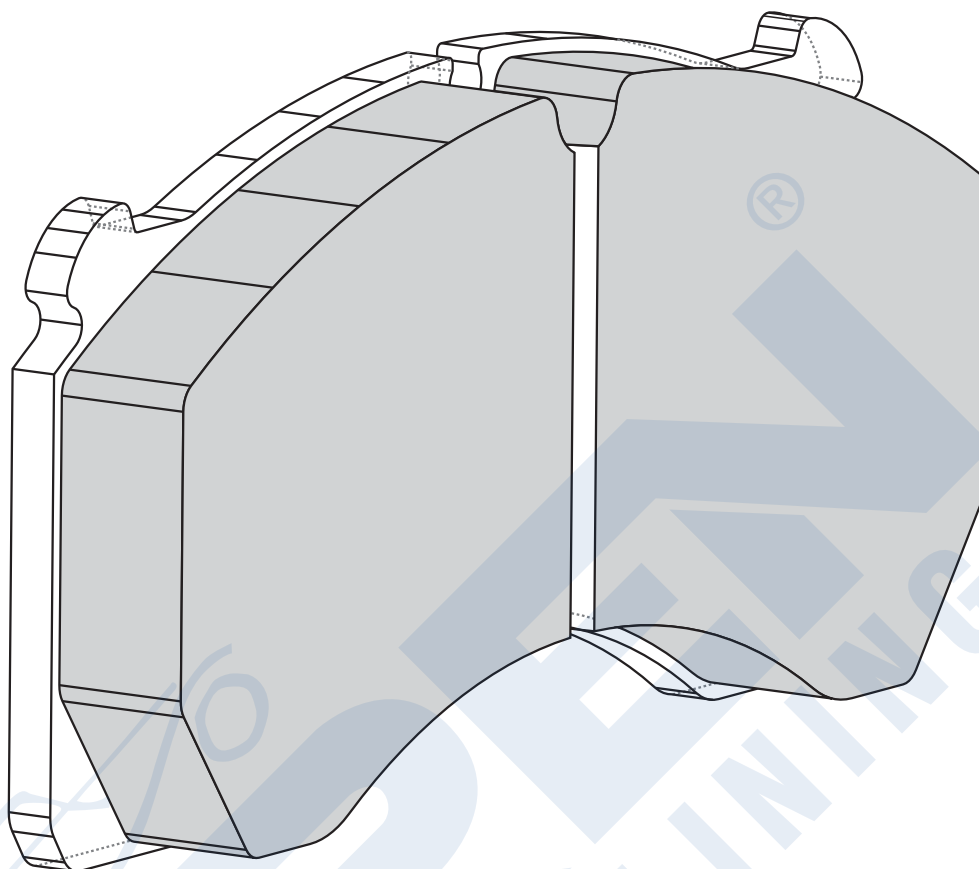


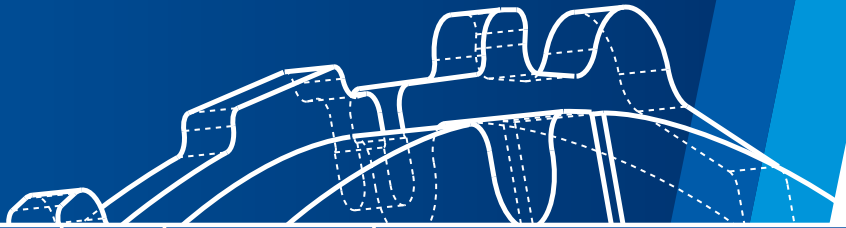
EREN CODE	WVA CODE			ACCESSORY	APPLICATION FOR VEHICLES
D-099	29099	4	25,00		RENAULT MIDLUM MIDLINER





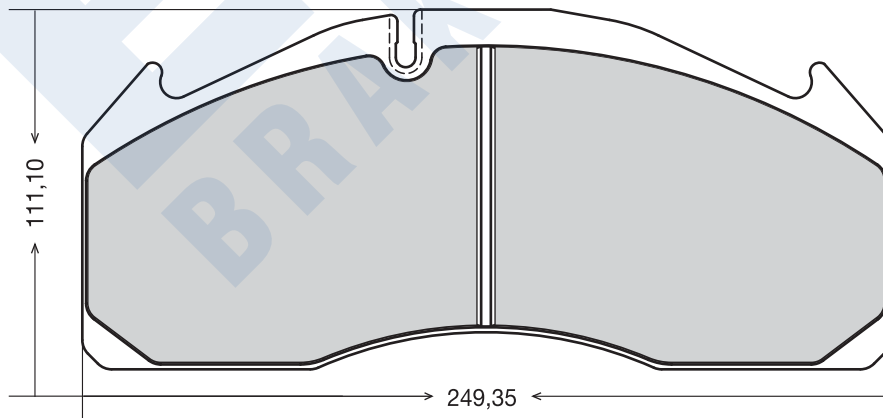
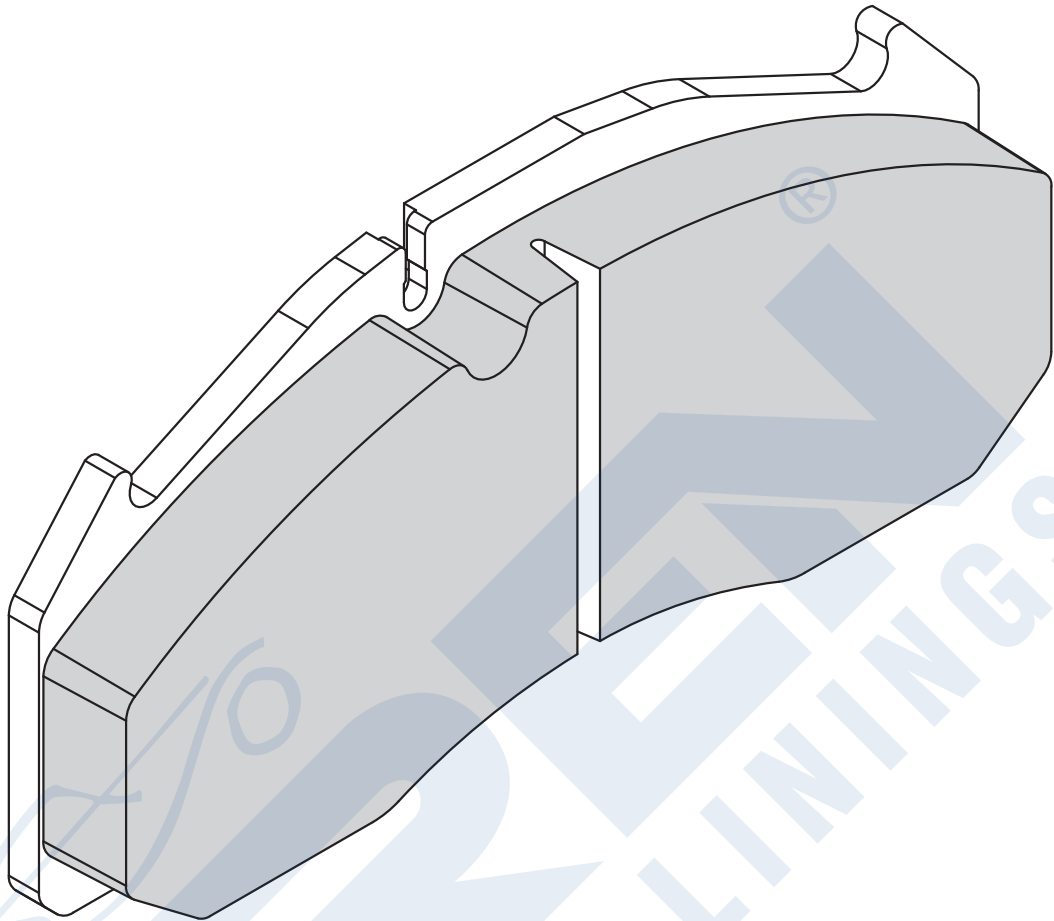
TRUCK, TRAILER & BUS BRAKE PADS REFERENCE NUMBERS AND DRAWINGS

EREN CODE	WVA CODE			ACCESSORY	APPLICATION FOR VEHICLES
D-124	29124	4	27,50	4 spring	MERITOR LM AXLE







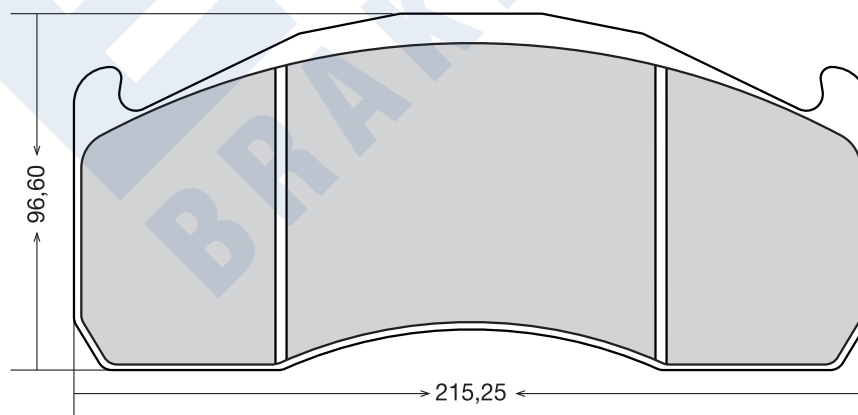
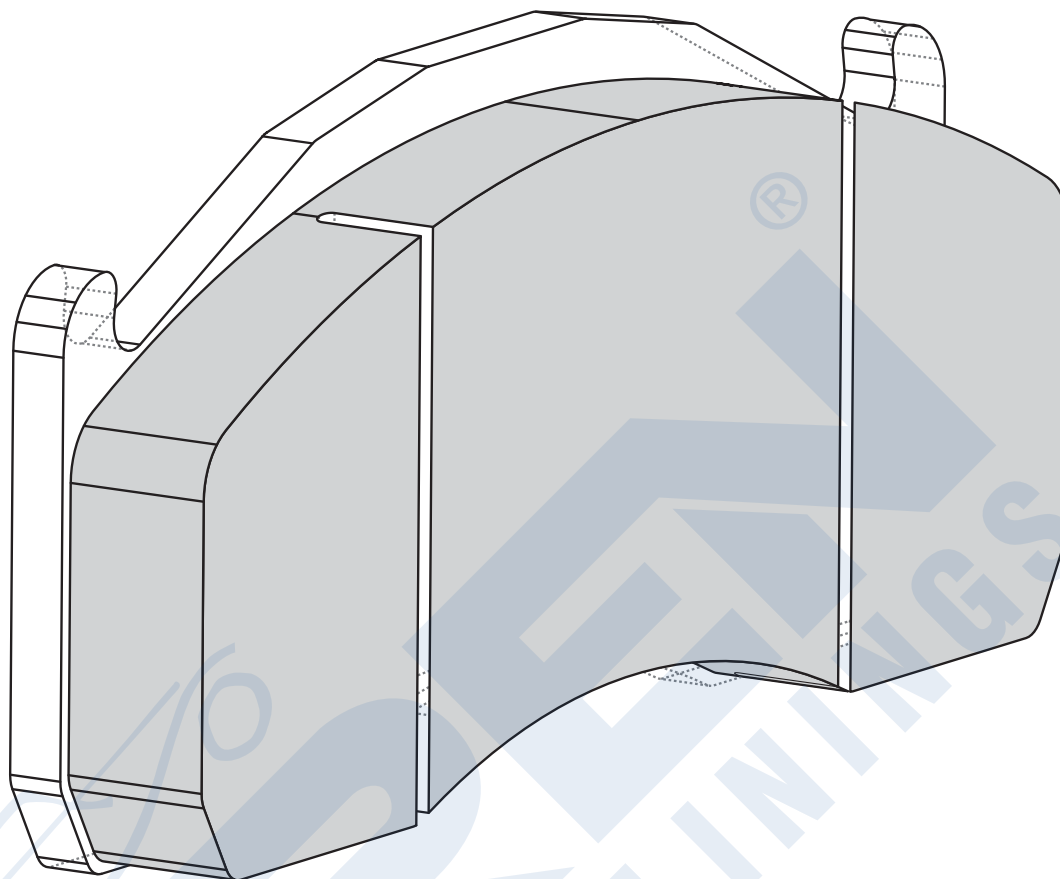
EREN CODE	WVA CODE			ACCESSORY	APPLICATION FOR VEHICLES
D-125	29125	4	29,20	4 spring 2 bolt 2 washer	VOLVO FH SERIES

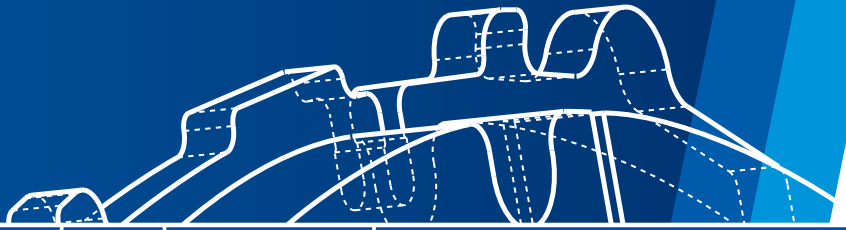




TRUCK, TRAILER & BUS BRAKE PADS

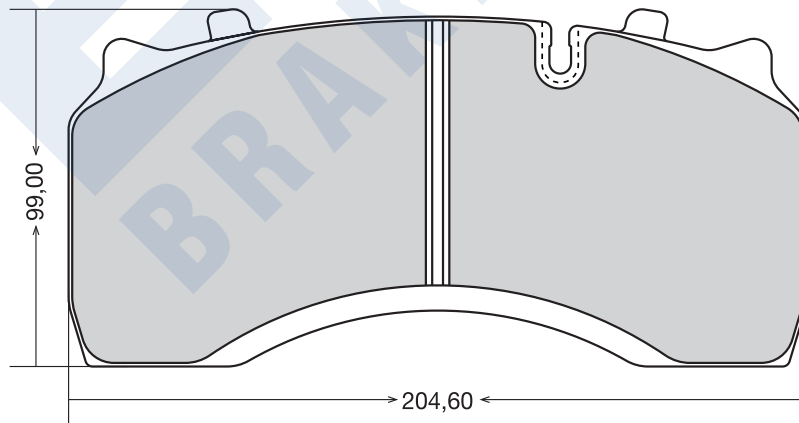
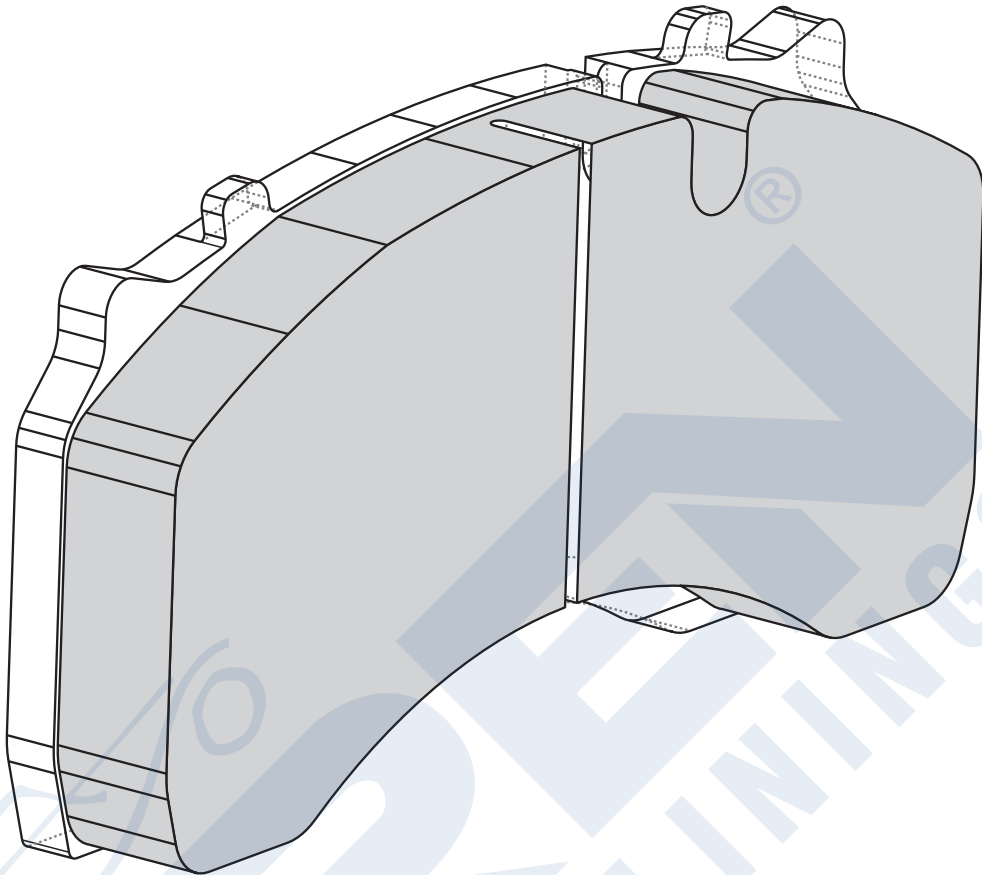
REFERENCE NUMBERS AND DRAWINGS

EREN CODE	WVA CODE			ACCESSORY	APPLICATION FOR VEHICLES
D-137/1	29151	4	29,00		VOLVO FL SERIES







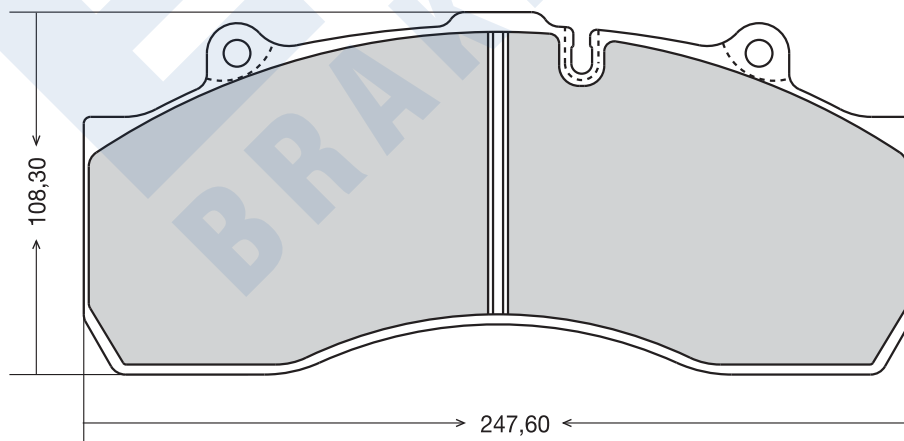
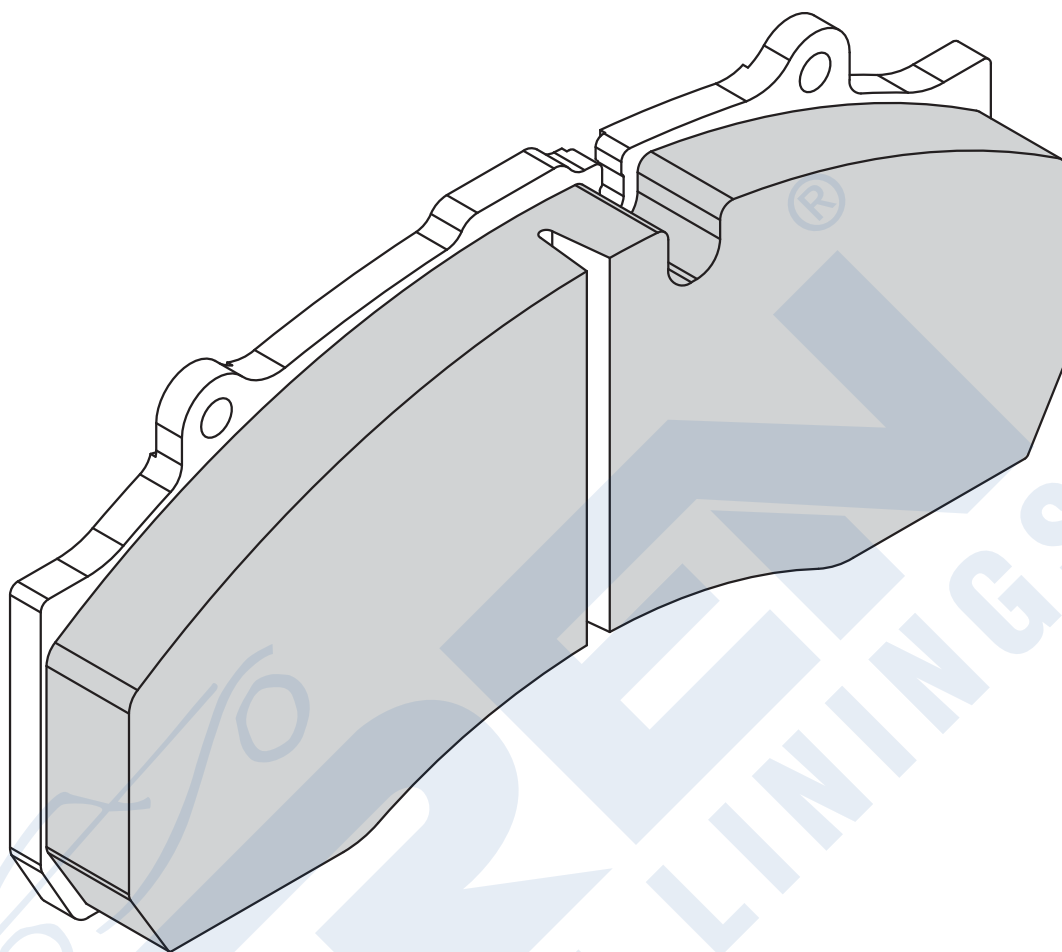
EREN CODE	WVA CODE			ACCESSORY	APPLICATION FOR VEHICLES
D-142	29142	4	29,50	4 spring - 2 fork 2 cap - 2 wear sensor 2 bolt - 2 sensor clip	RENAULT MIDLUM 210 - 220 - 250 - 270

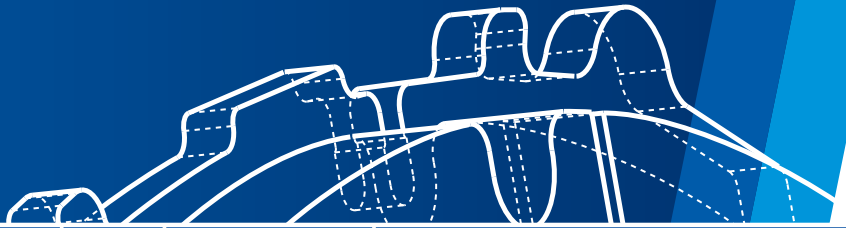




TRUCK, TRAILER & BUS BRAKE PADS

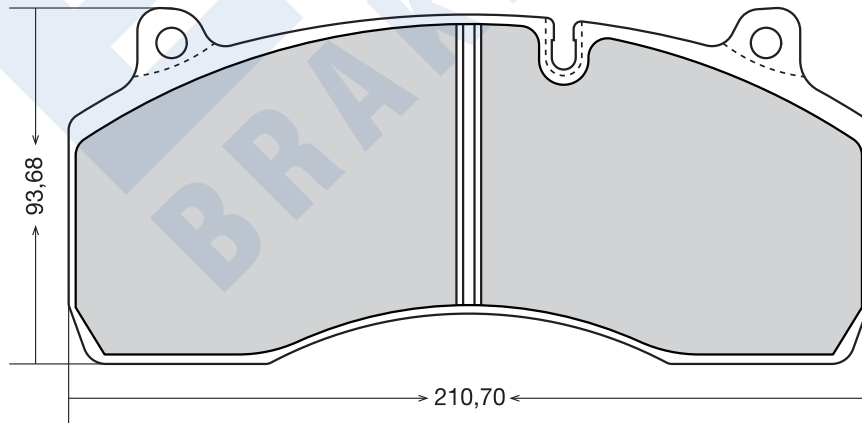
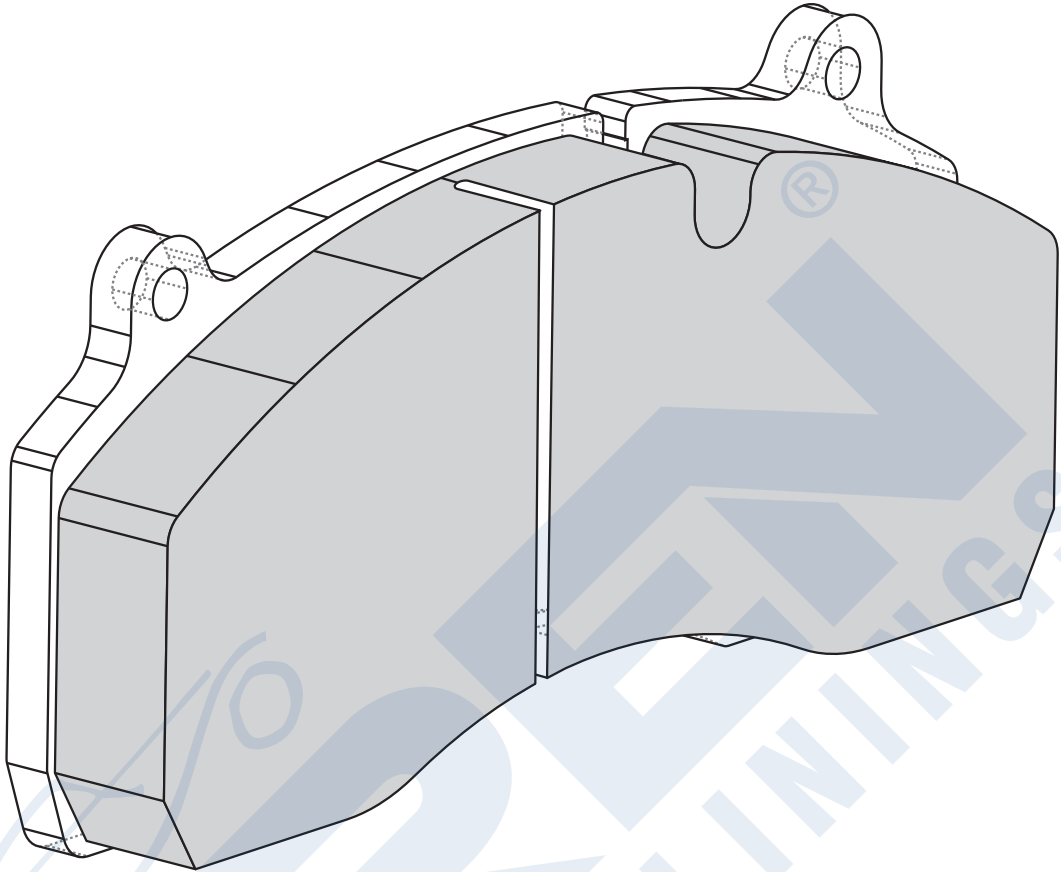
REFERENCE NUMBERS AND DRAWINGS

EREN CODE	WVA CODE			ACCESSORY	APPLICATION FOR VEHICLES
D-143	29143 - 29176 29120	4	29,50	4 spring	SAF AXLE / SCANIA 4 SERIES





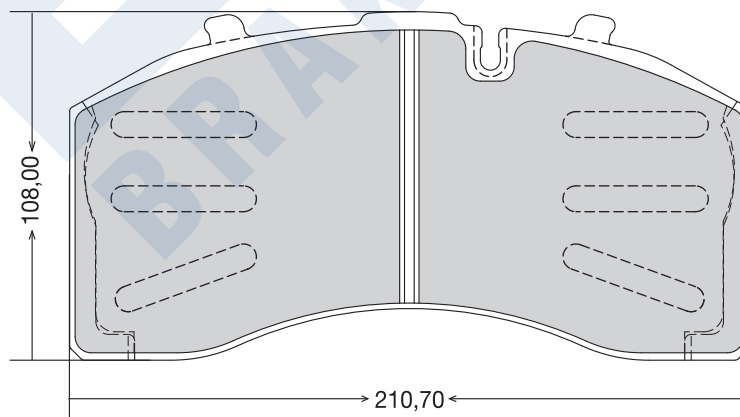
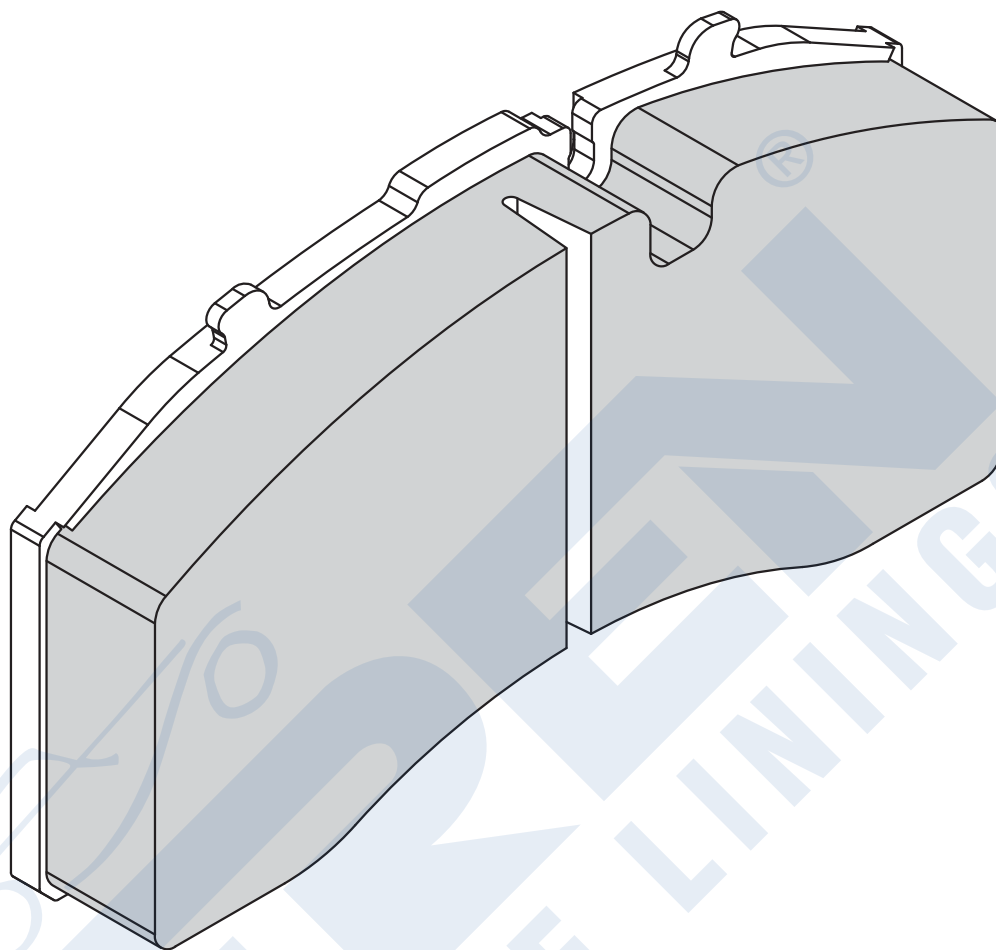


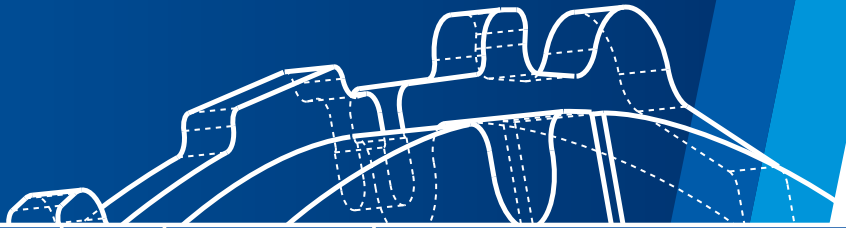
EREN CODE	WVA CODE			ACCESSORY	APPLICATION FOR VEHICLES
D-147	29147	4	29,50	4 spring	RENAULT MIDLUM / VOLVO FL SERIES





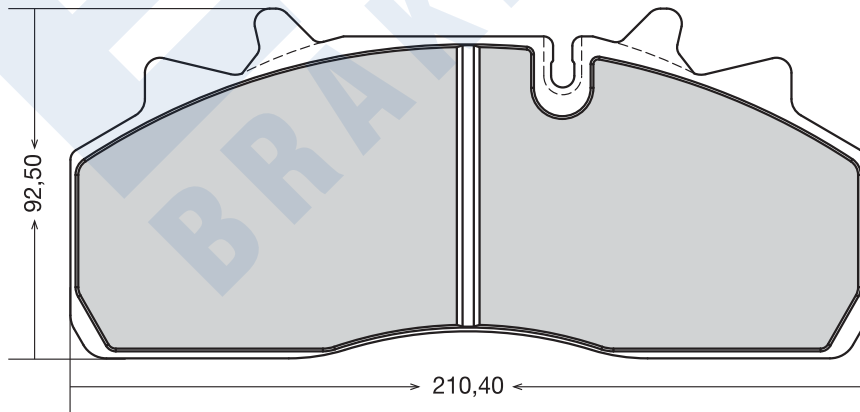
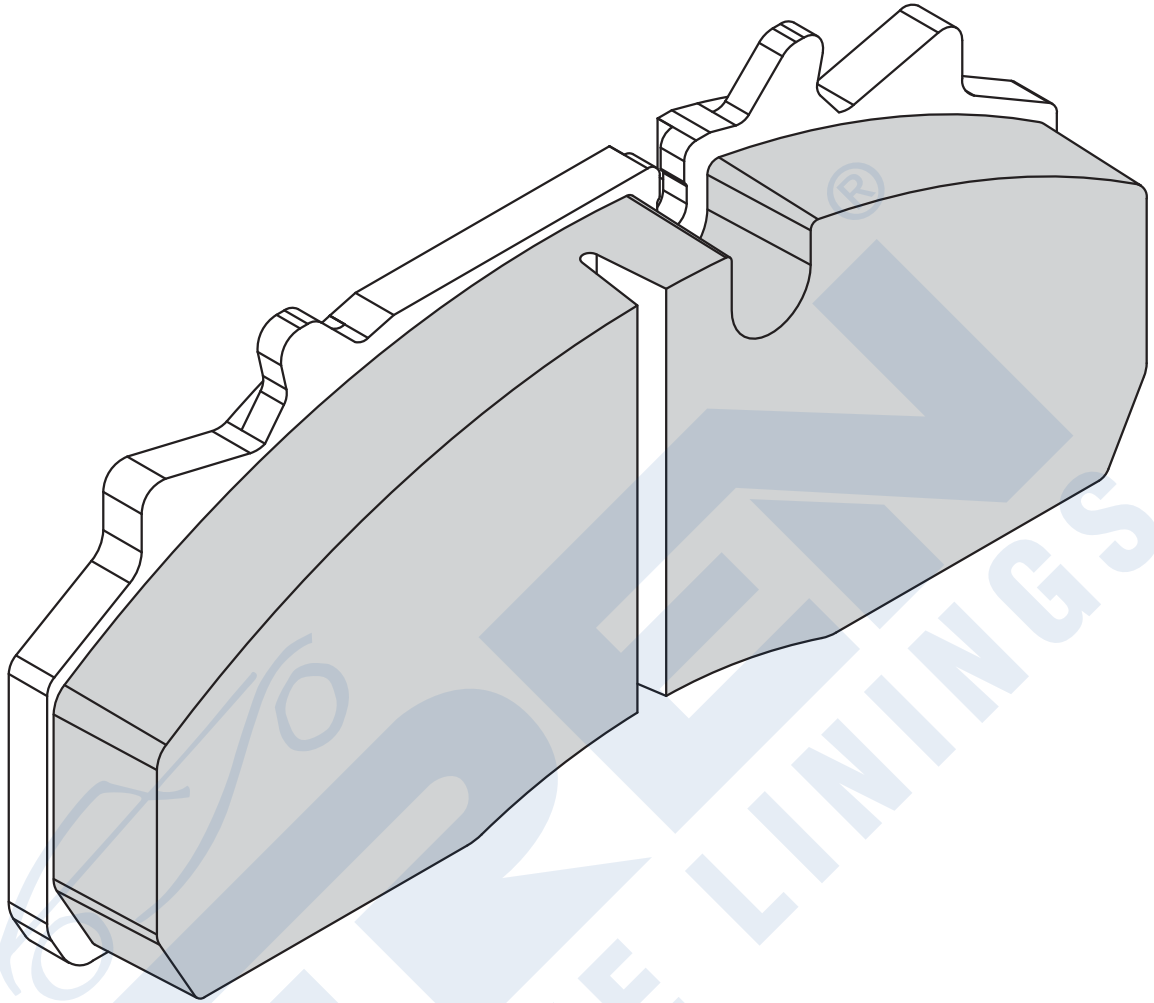
TRUCK, TRAILER & BUS BRAKE PADS REFERENCE NUMBERS AND DRAWINGS

EREN CODE	WVA CODE			ACCESSORY	APPLICATION FOR VEHICLES
D-158	29158	4	29,50	4 spring	SAF, SCHMITZ, KNORR





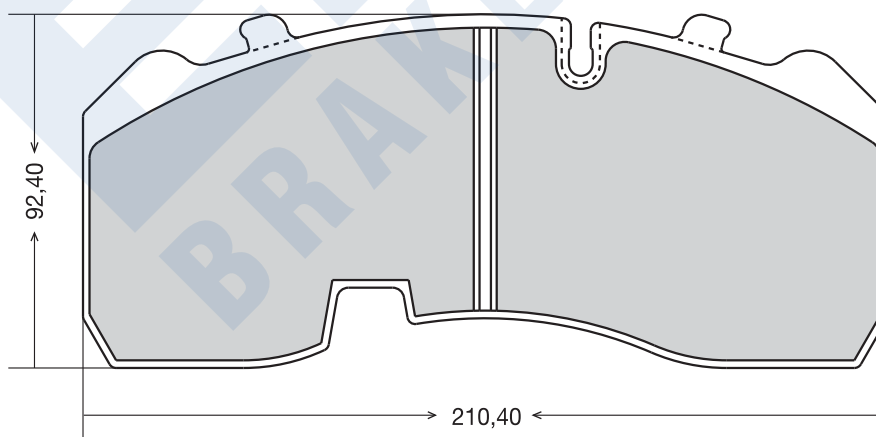
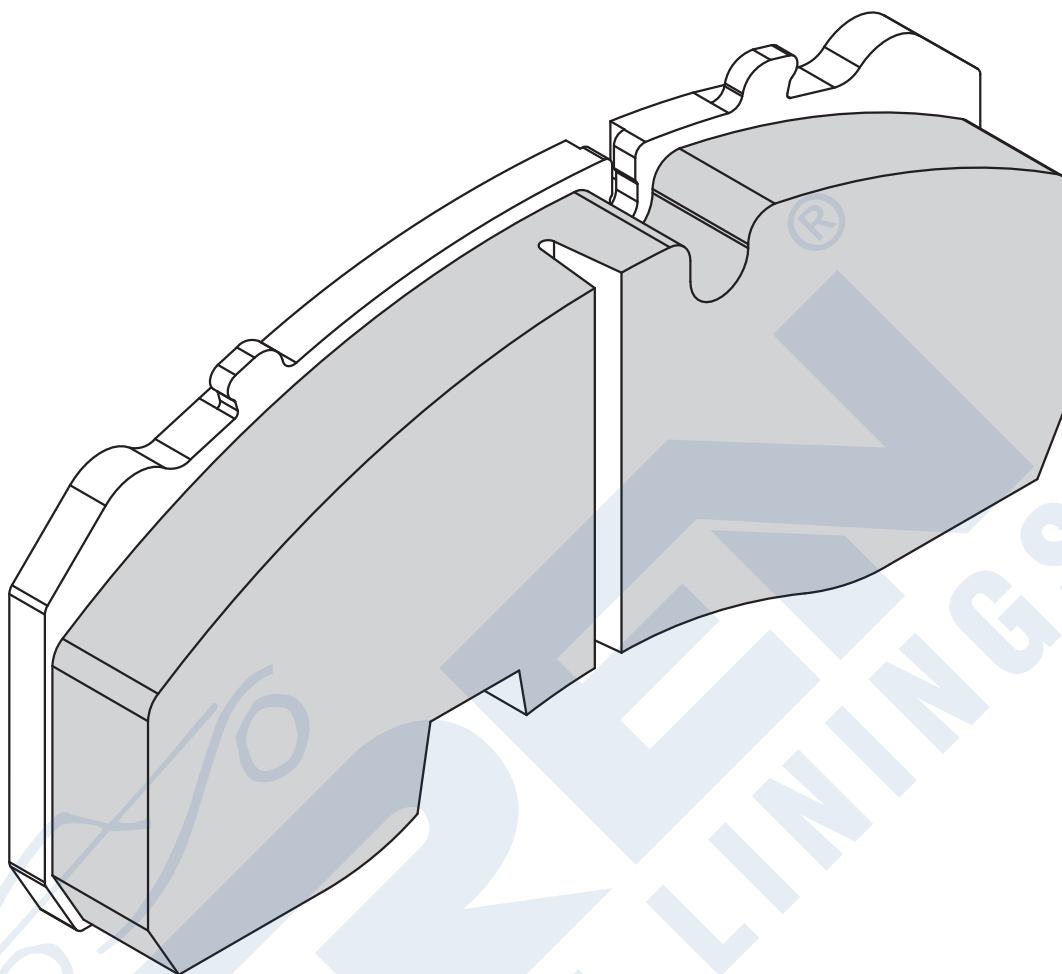


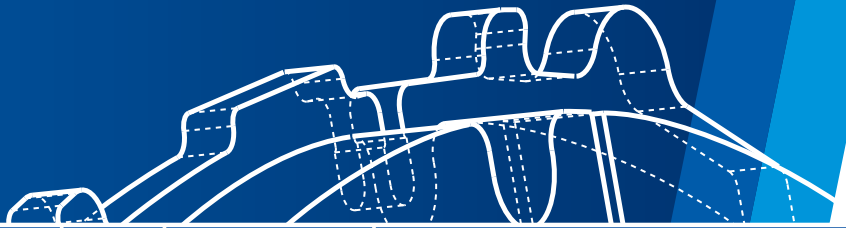
EREN CODE	WVA CODE			ACCESSORY	APPLICATION FOR VEHICLES
D-159	29159	4	28,80	4 spring 2 wear sensor 2 fork - 2 bolt 2 cap	RENAULT / SAF SAUER / ISUZU CITY BUS



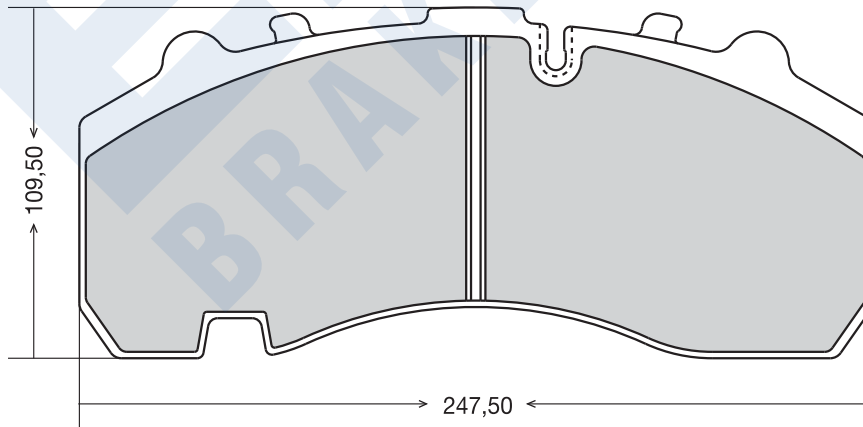
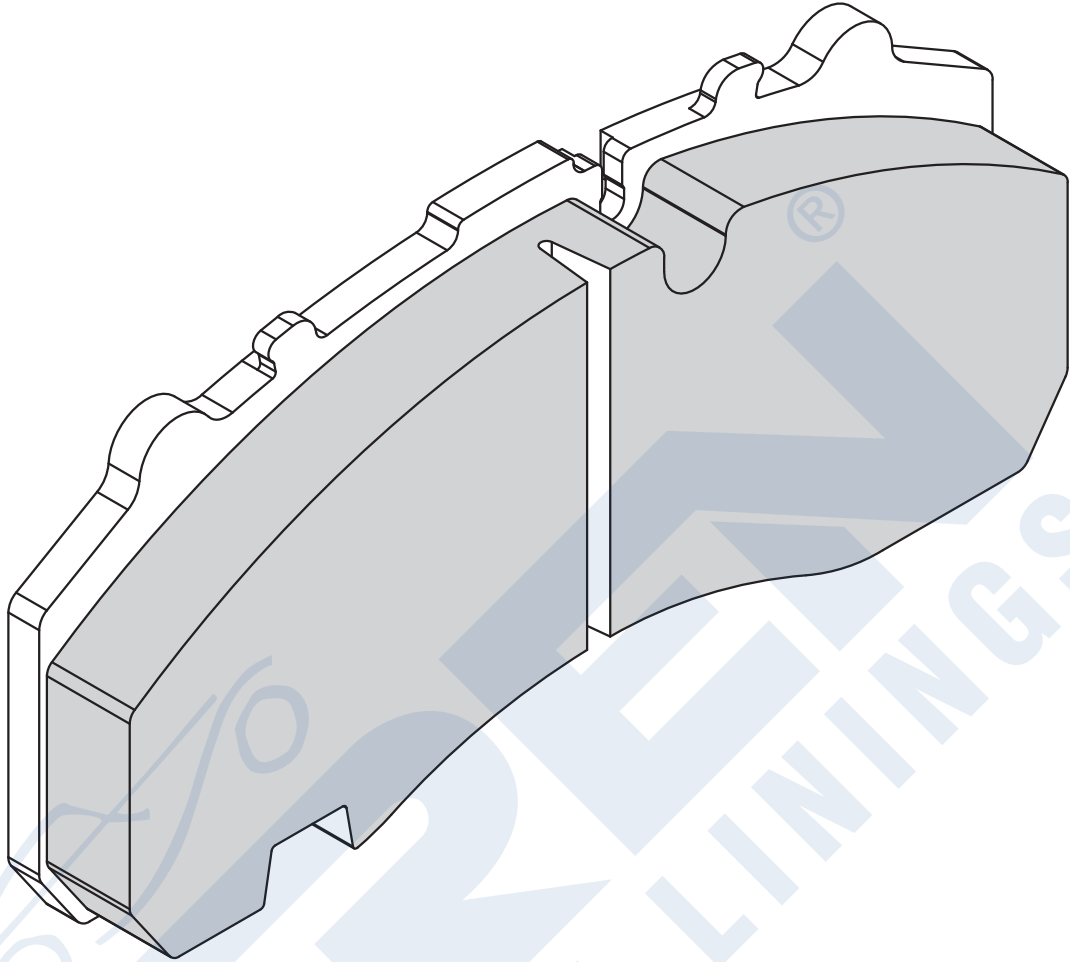
TRUCK, TRAILER & BUS BRAKE PADS REFERENCE NUMBERS AND DRAWINGS

EREN CODE	WVA CODE			ACCESSORY	APPLICATION FOR VEHICLES
D-165	29165	4	29,50	4 spring-2 cap-2 pin 2 washer-2 rubber cap 2 fixing spring 1 spanner	BPW TRAILER





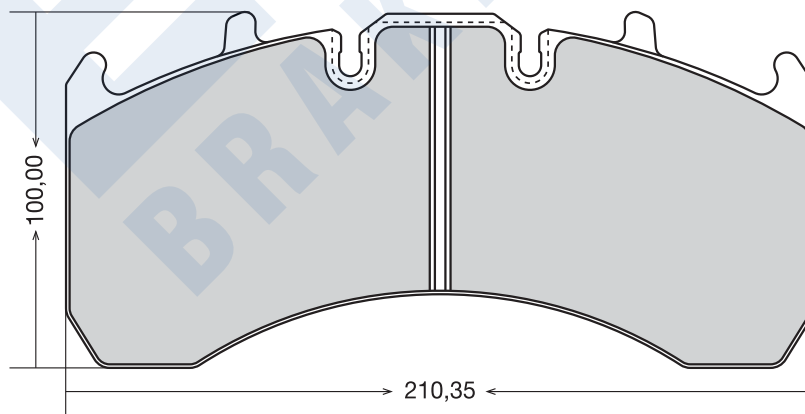
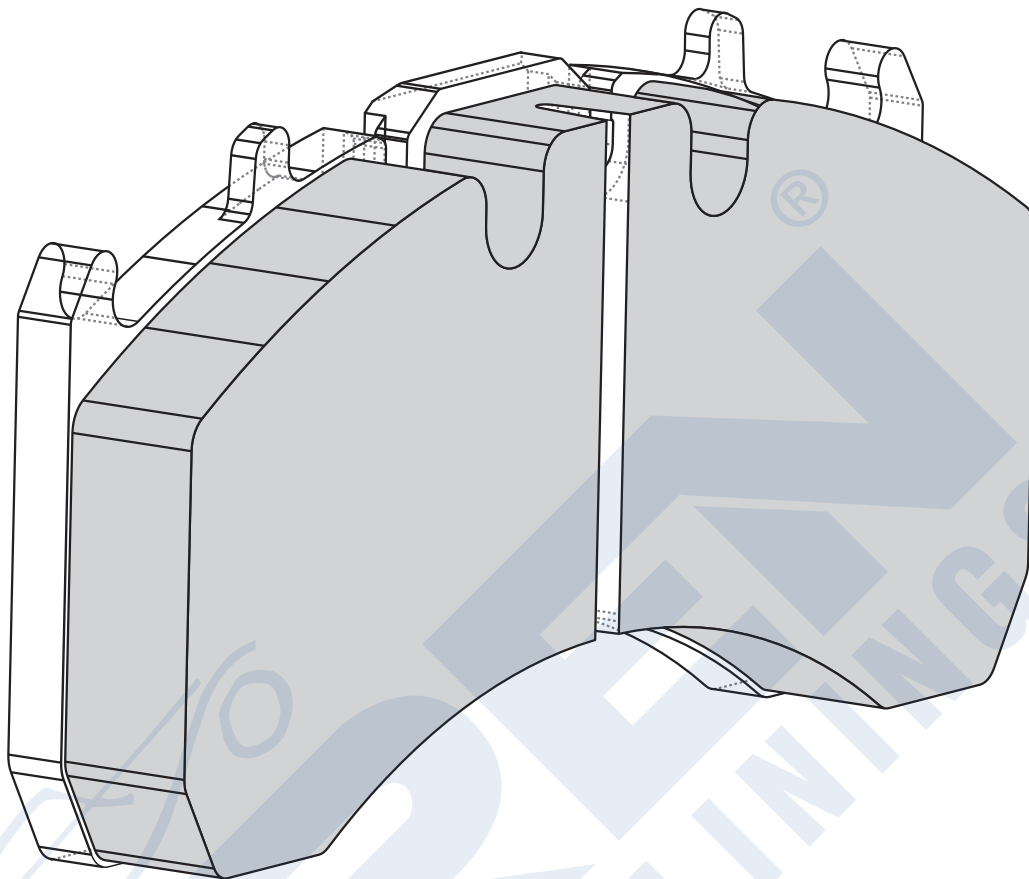


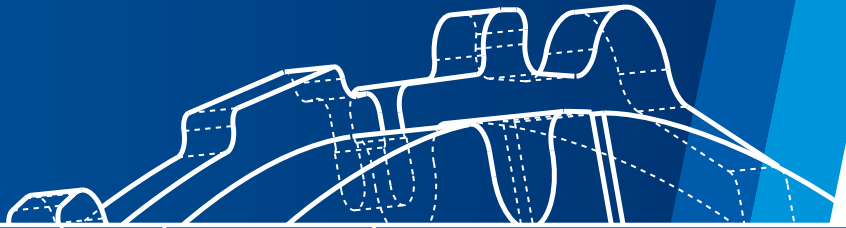
EREN CODE	WVA CODE			ACCESSORY	APPLICATION FOR VEHICLES
D-167	29167	4	29,50	4 spring-2 cap-2 pin 2 washer-2 rubber cap 2 fixing spring 1 spanner	BPW TRAILER





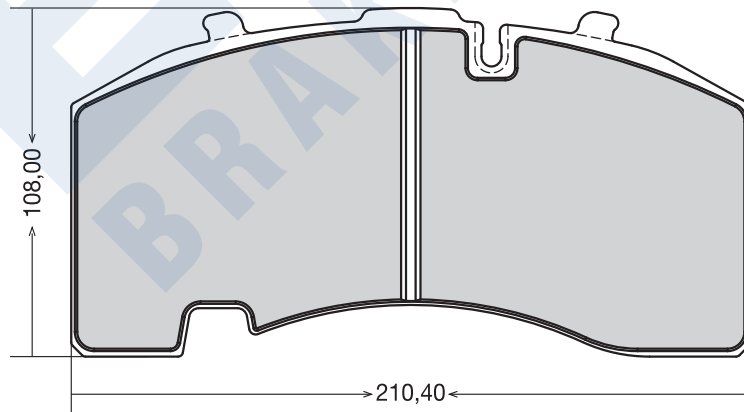
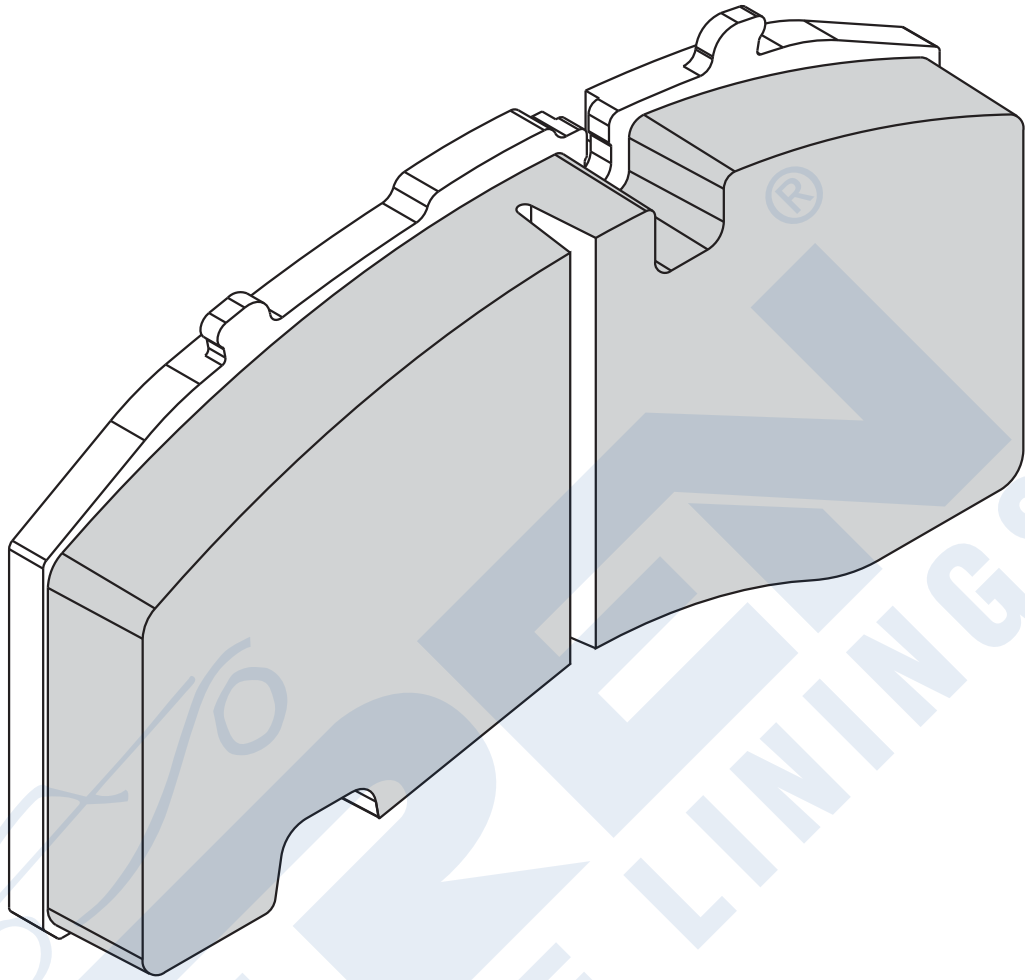
TRUCK, TRAILER & BUS BRAKE PADS REFERENCE NUMBERS AND DRAWINGS

EREN CODE	WVA CODE			ACCESSORY	APPLICATION FOR VEHICLES
D-169	29169	4	30,00	4 spring	VOLVO F SERIES





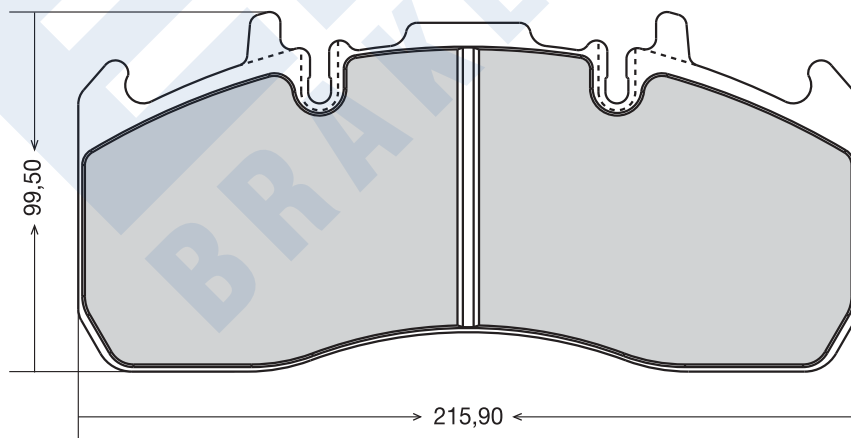
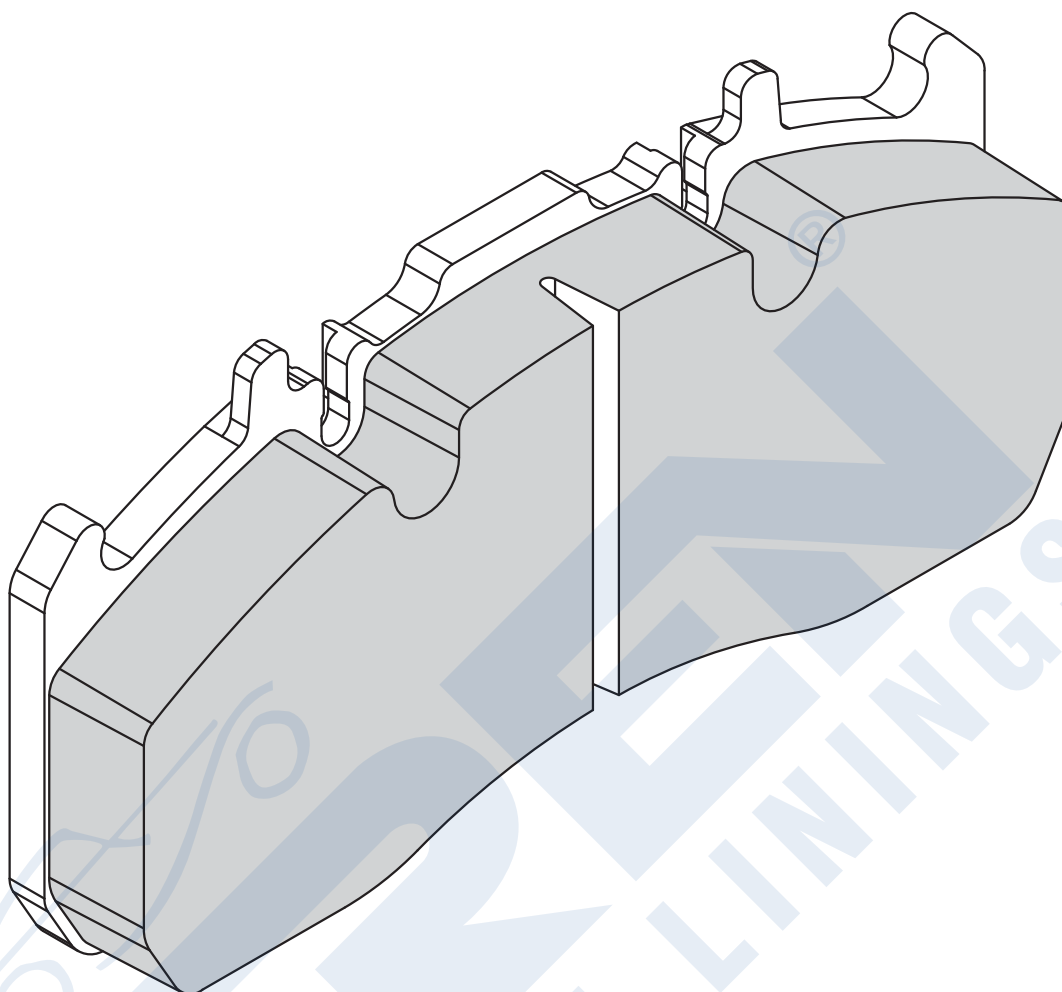


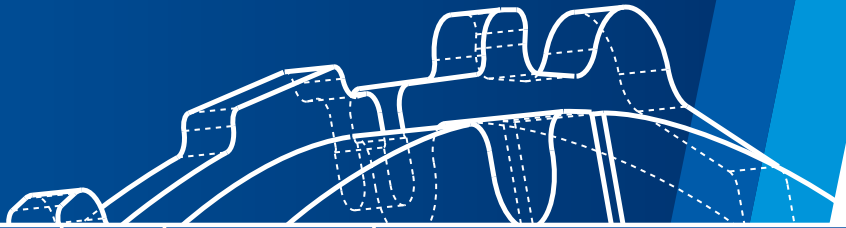
EREN CODE	WVA CODE			ACCESSORY	APPLICATION FOR VEHICLES
D-171	29171	4	29,50	4 spring-2 cap-2 pin 2 washer-2 rubber cap 2 fixing spring 1 spanner	BPW TRAILER





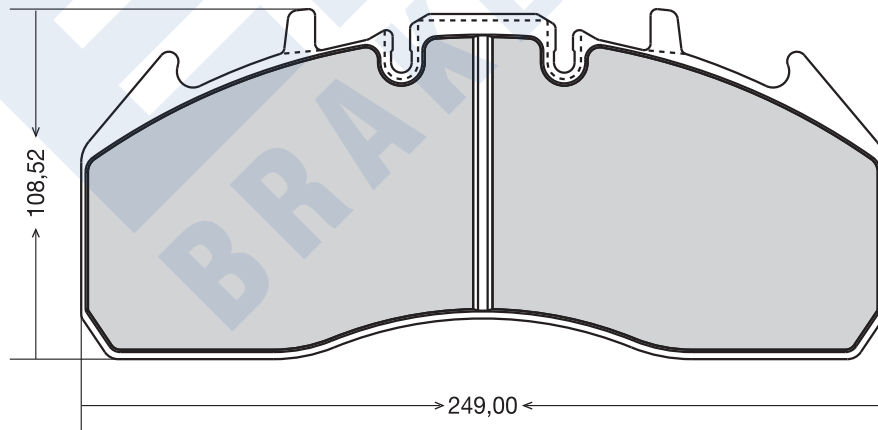
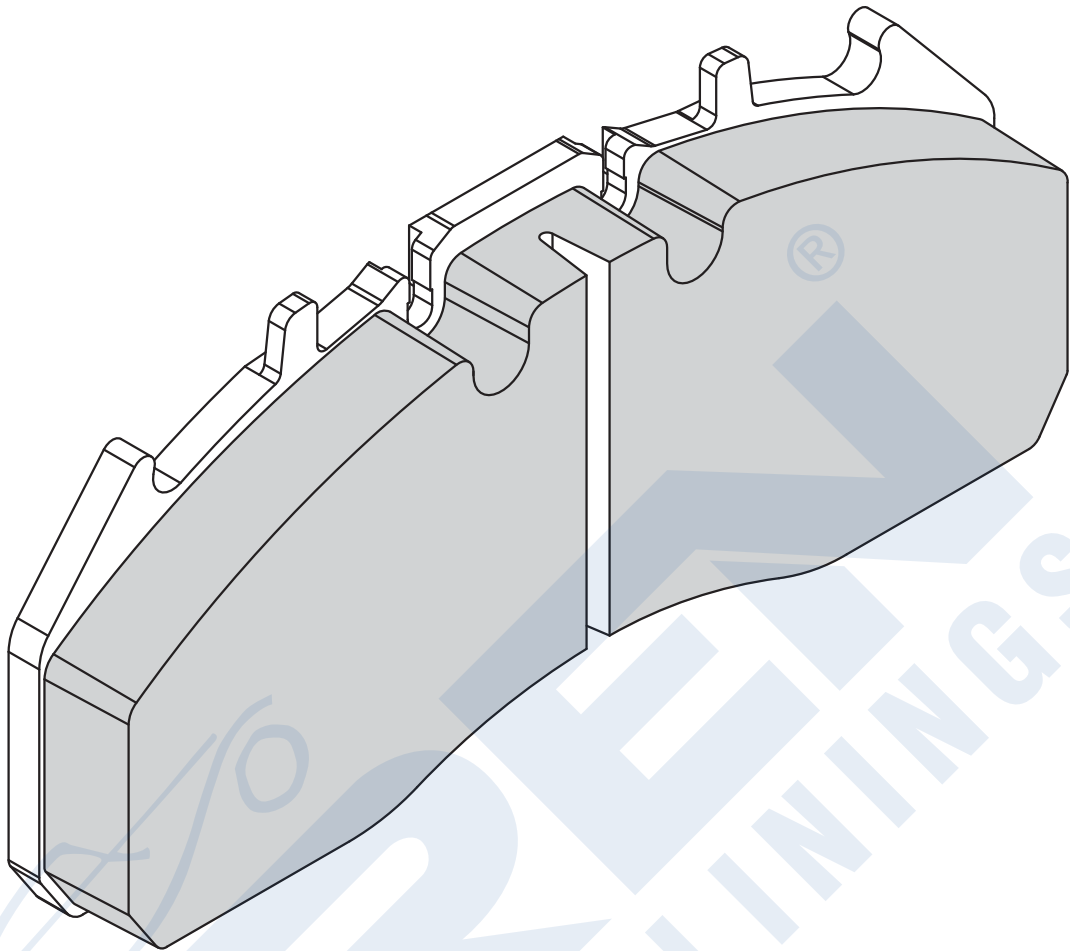
TRUCK, TRAILER & BUS BRAKE PADS REFERENCE NUMBERS AND DRAWINGS

EREN CODE	WVA CODE			ACCESSORY	APPLICATION FOR VEHICLES
D-173	29173	4	29,25	4 spring - 2 bolt 2 wear sensor	VOLVO FL SERIES / RENAULT MIDLUM





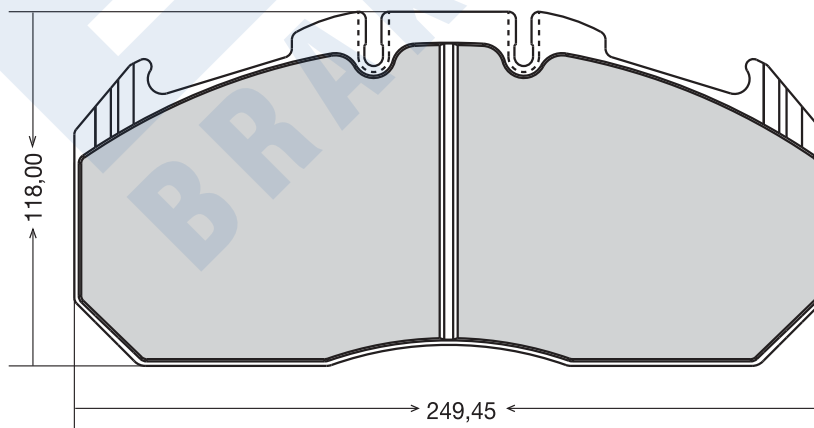
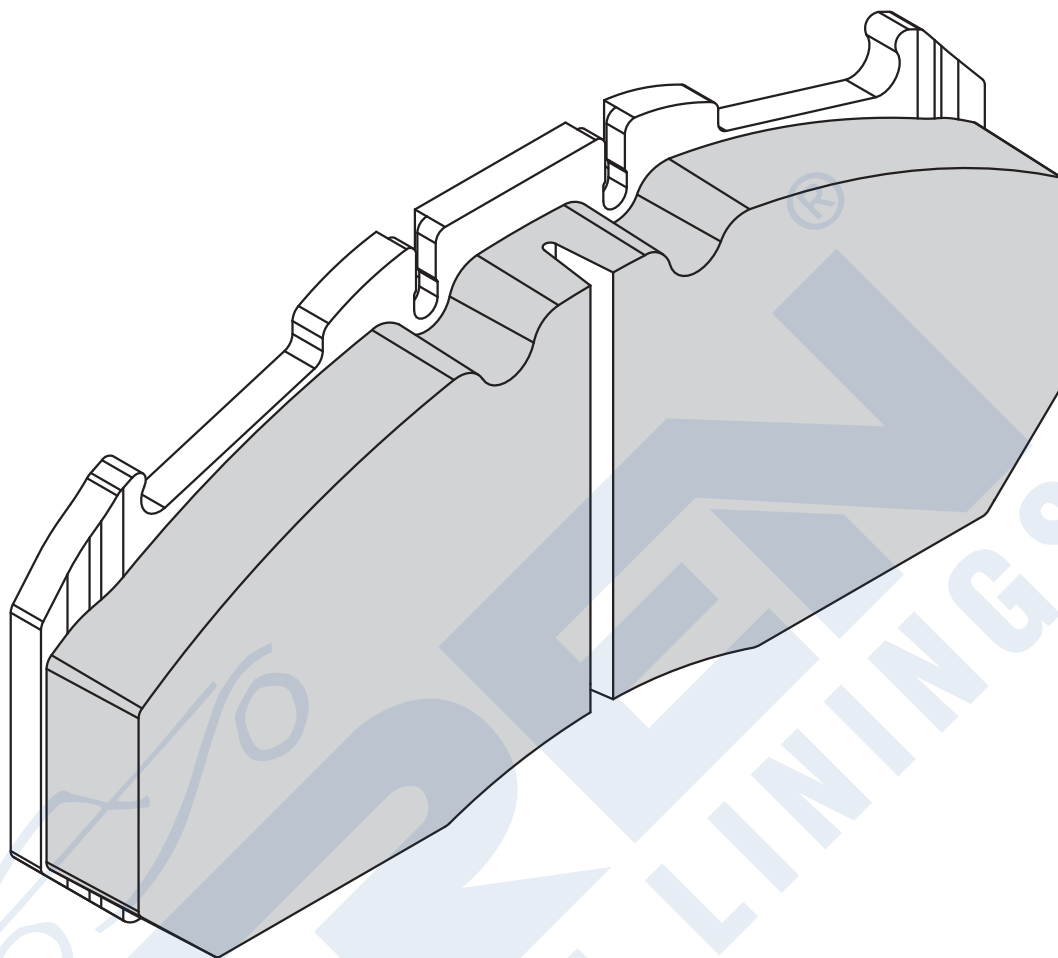


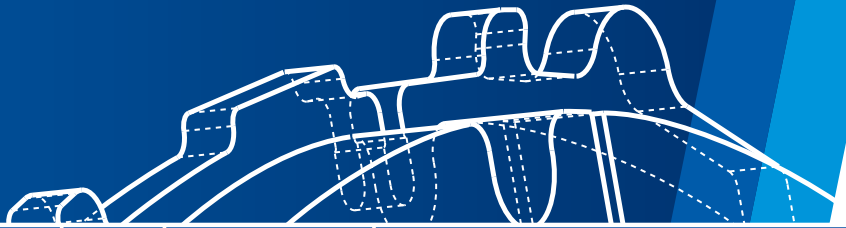
EREN CODE	WVA CODE			ACCESSORY	APPLICATION FOR VEHICLES
D-174	29174	4	29,25	4 spring - 2 bolt 2 wear sensor	RENAULT 440 PREMIUM / VOLVO FE FM SERIES





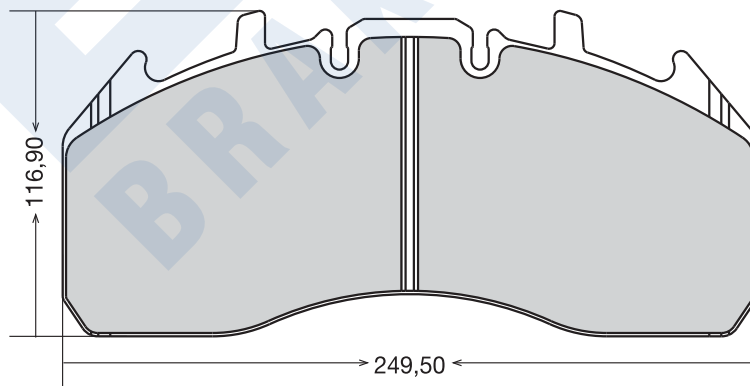
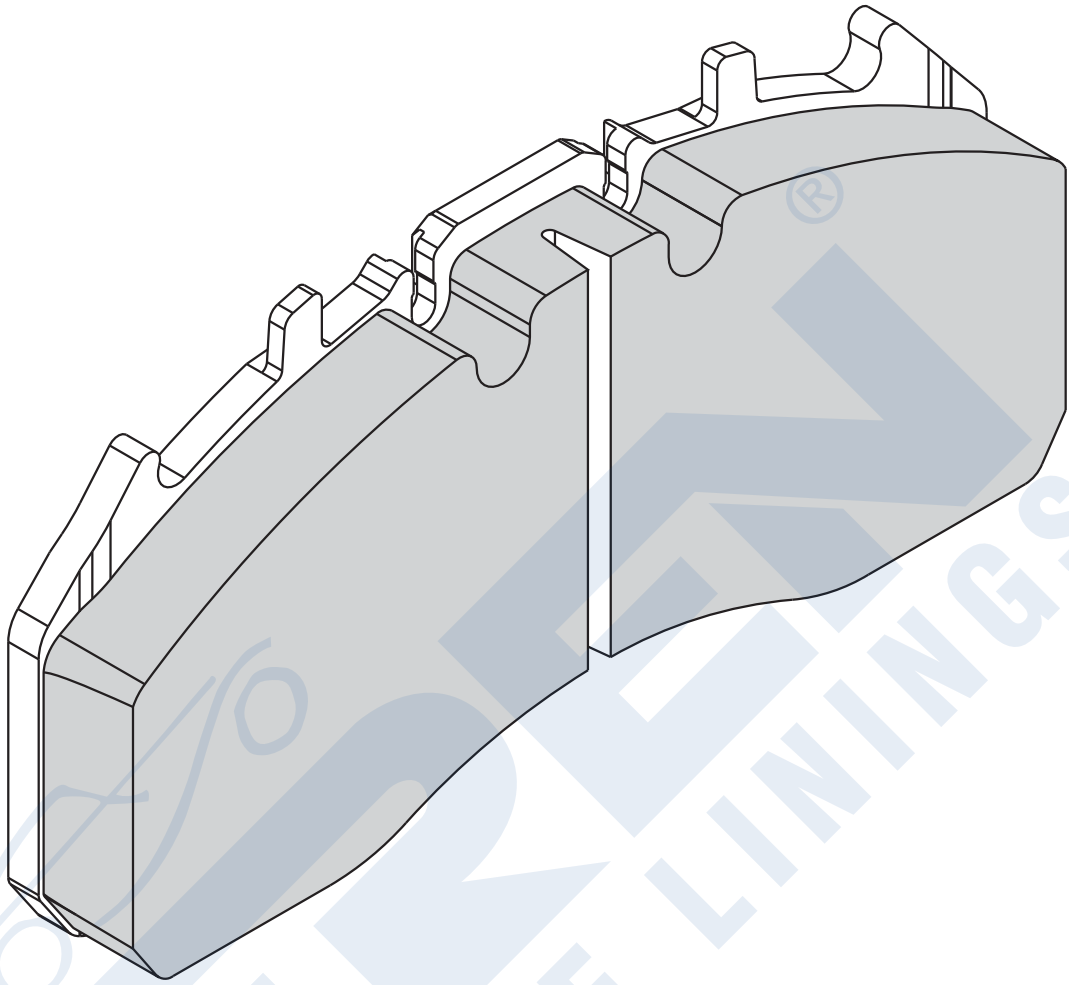
TRUCK, TRAILER & BUS BRAKE PADS REFERENCE NUMBERS AND DRAWINGS

EREN CODE	WVA CODE			ACCESSORY	APPLICATION FOR VEHICLES
D-181	29131	4	29,50	4 spring 2 bolt 2 wear sensor	RENAULT R 420 - RENAULT MAGNUM / MAN TGA







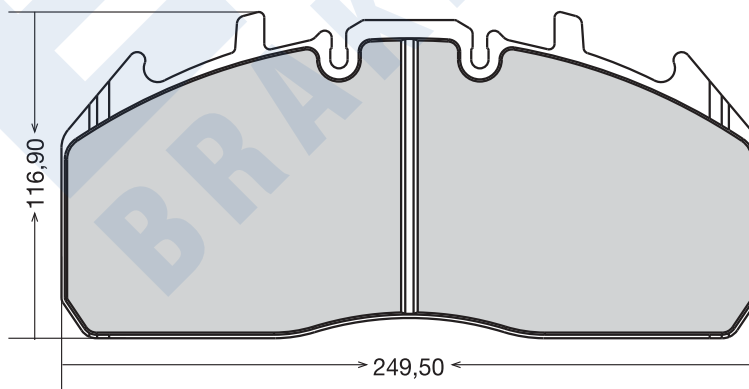
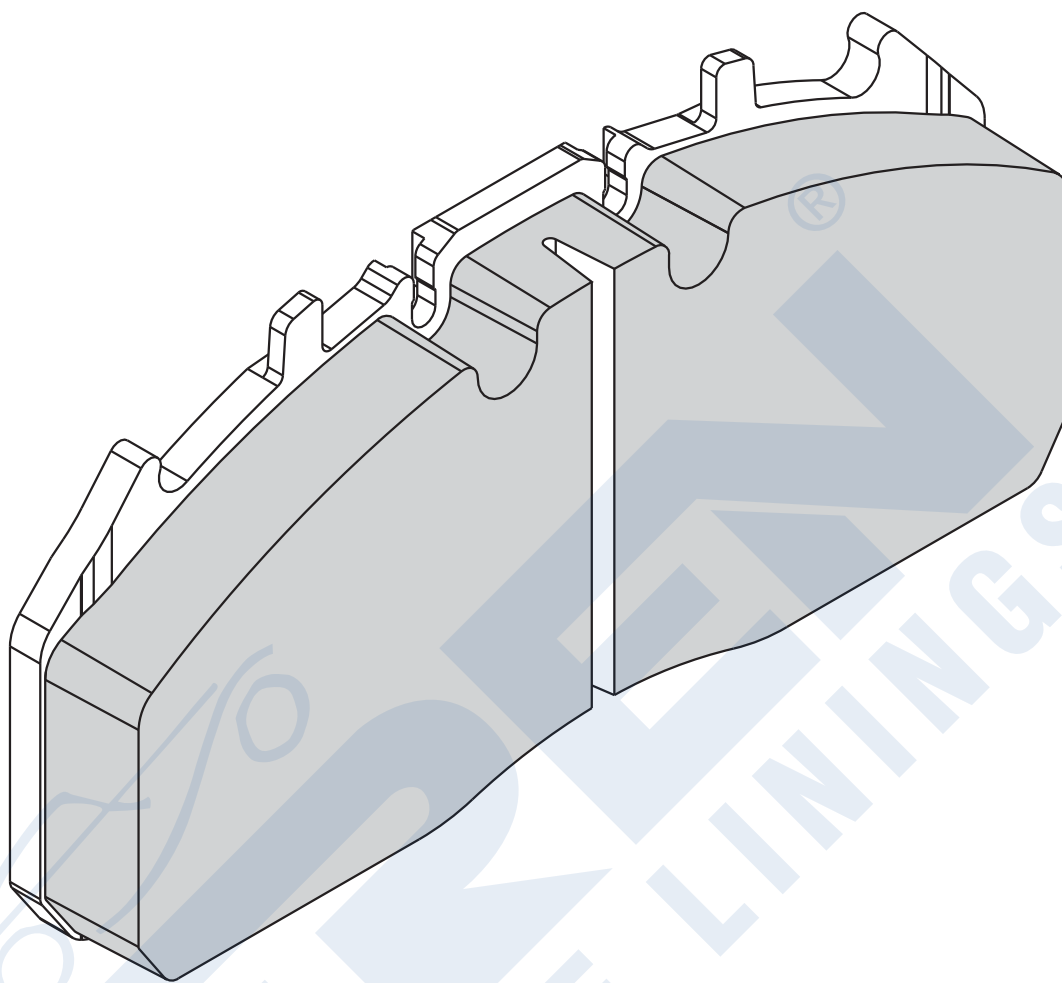
EREN CODE	WVA CODE			ACCESSORY	APPLICATION FOR VEHICLES
D-187	29187	4	29,00	4 spring 2 bolt	OPTARE - TEMPO BUS

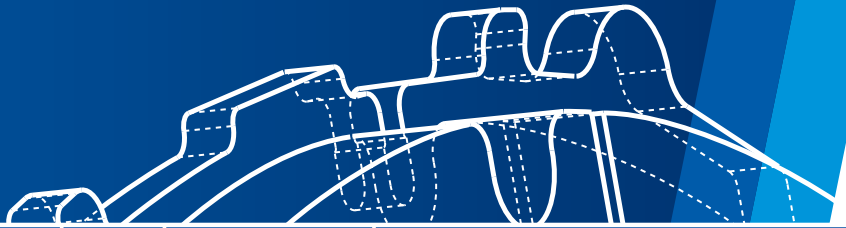




TRUCK, TRAILER & BUS BRAKE PADS

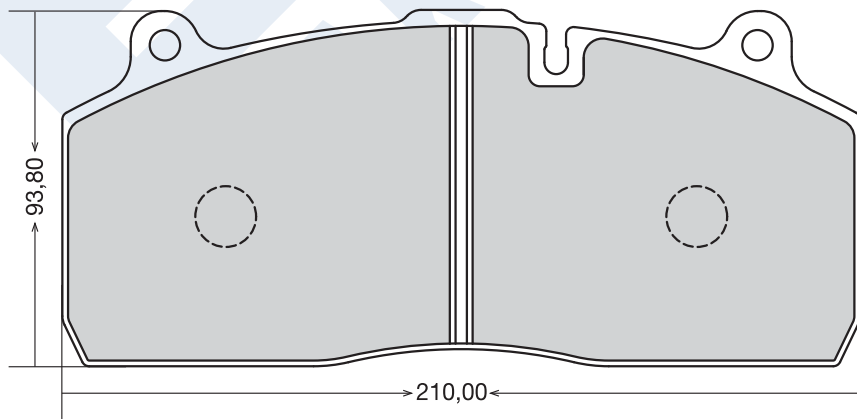
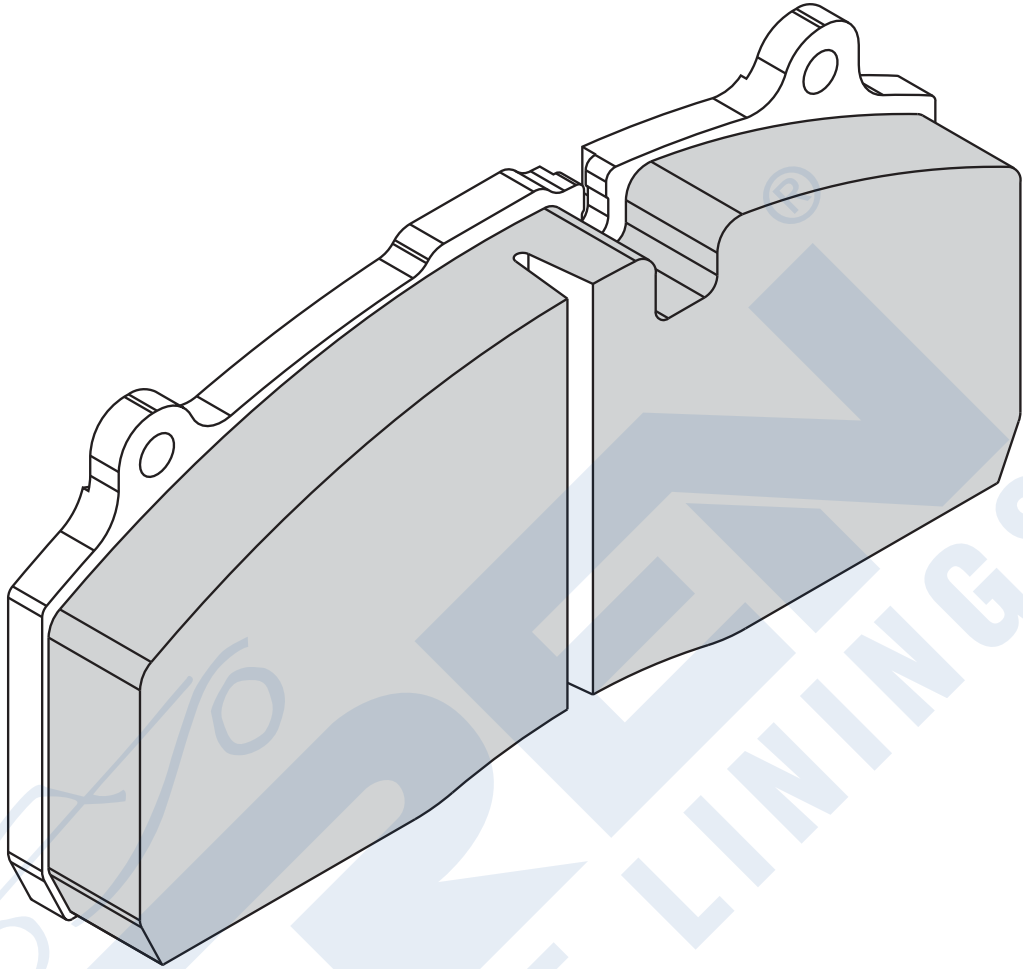
REFERENCE NUMBERS AND DRAWINGS

EREN CODE	WVA CODE			ACCESSORY	APPLICATION FOR VEHICLES
D-188	29188	4	30,00	4 spring 2 bolt	OPTARE - TEMPO BUS





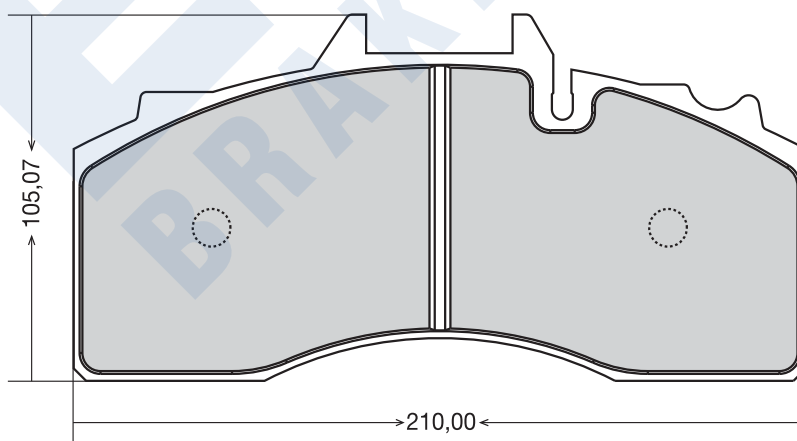
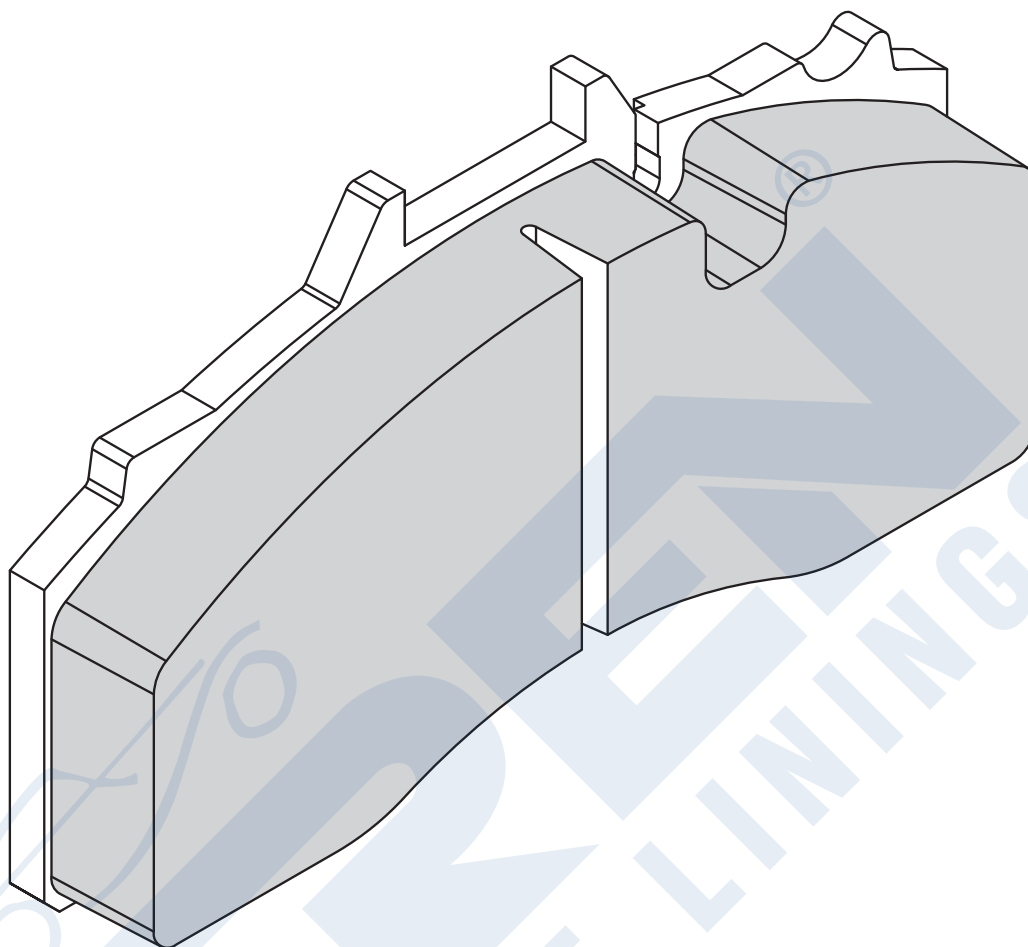


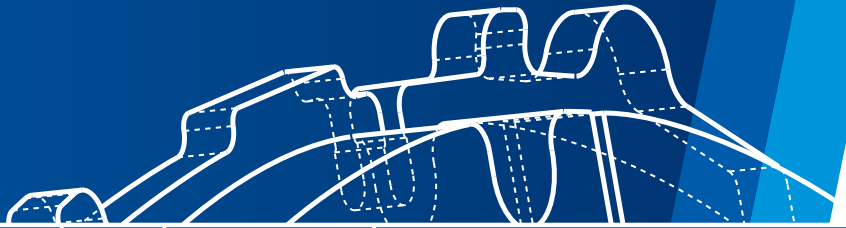
EREN CODE	WVA CODE			ACCESSORY	APPLICATION FOR VEHICLES
D-195	29195	4	30,00	4 spring	SAF AXLE





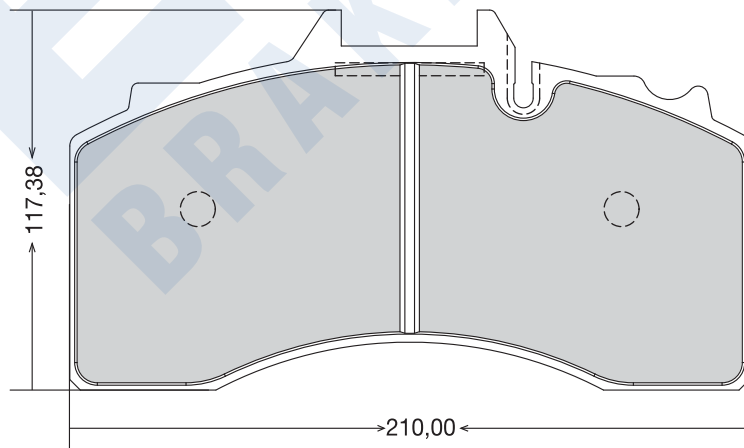
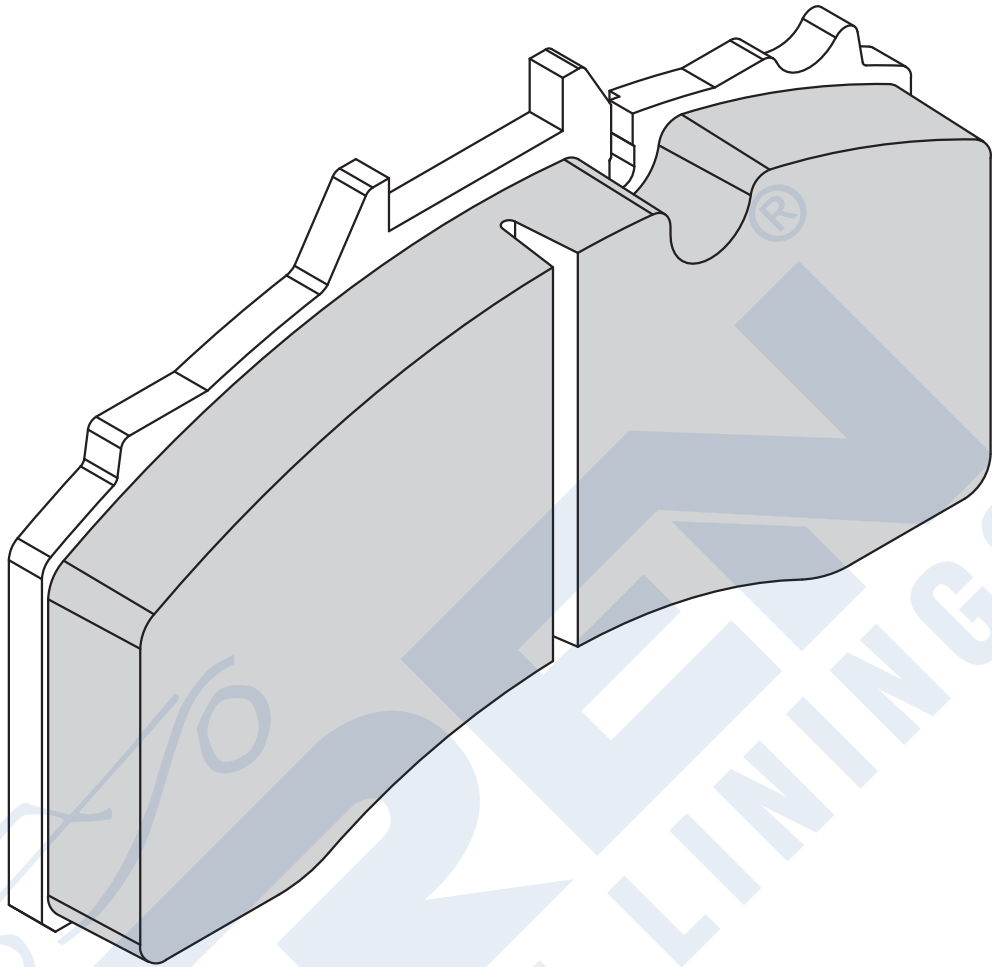
TRUCK, TRAILER & BUS BRAKE PADS REFERENCE NUMBERS AND DRAWINGS

EREN CODE	WVA CODE			ACCESSORY	APPLICATION FOR VEHICLES
D-227	29227	4	29,50	2 spring -2 pin 2 washer - 2 cap 2 fixing spring 4 calliper spring	BPW TRAILER





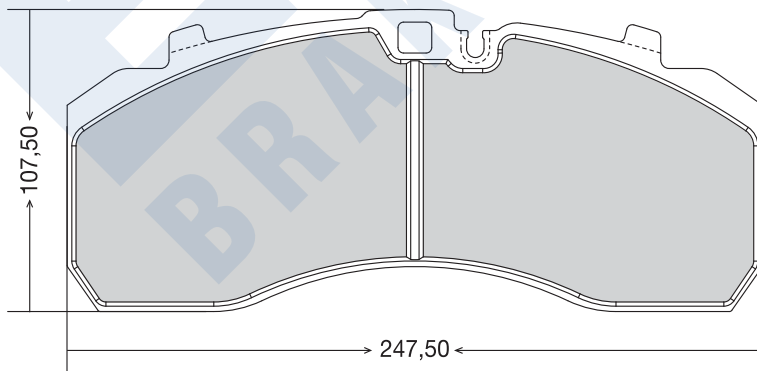
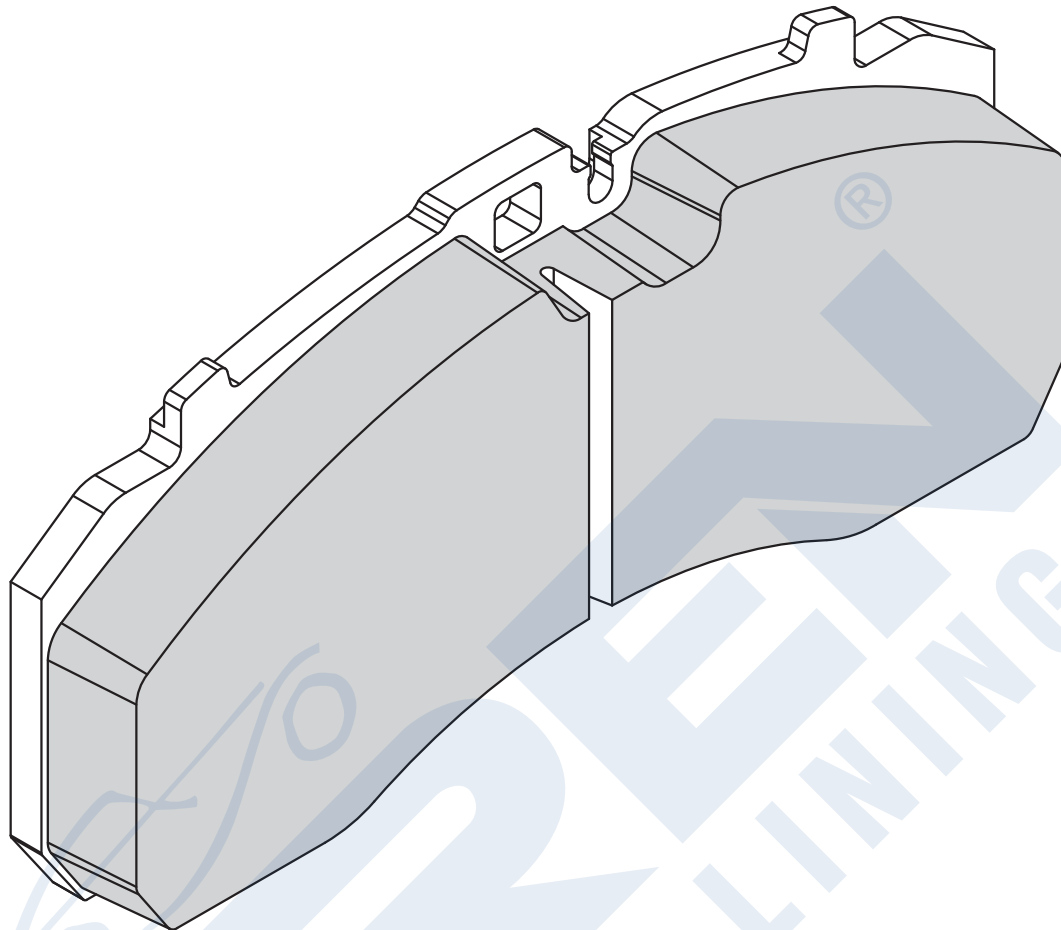


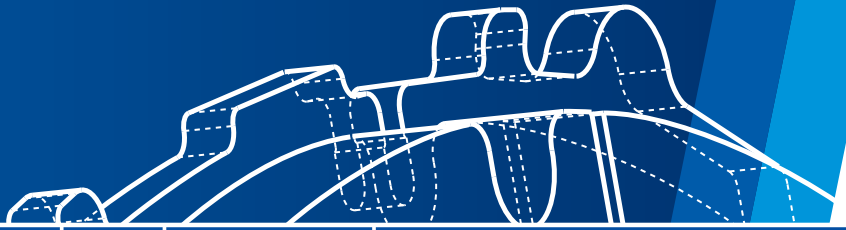
EREN CODE	WVA CODE			ACCESSORY	APPLICATION FOR VEHICLES
D-228	29228	4	29,50	2 spring - 2 pin 2 washer - 2 cap 2 fixing spring 4 calliper spring	BPW TRAILER





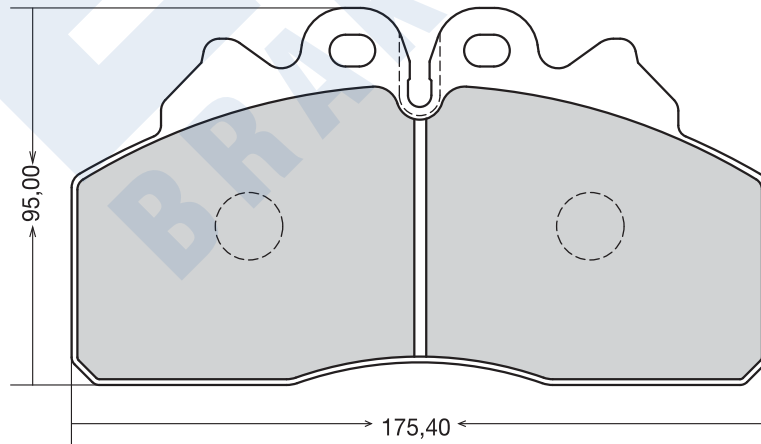
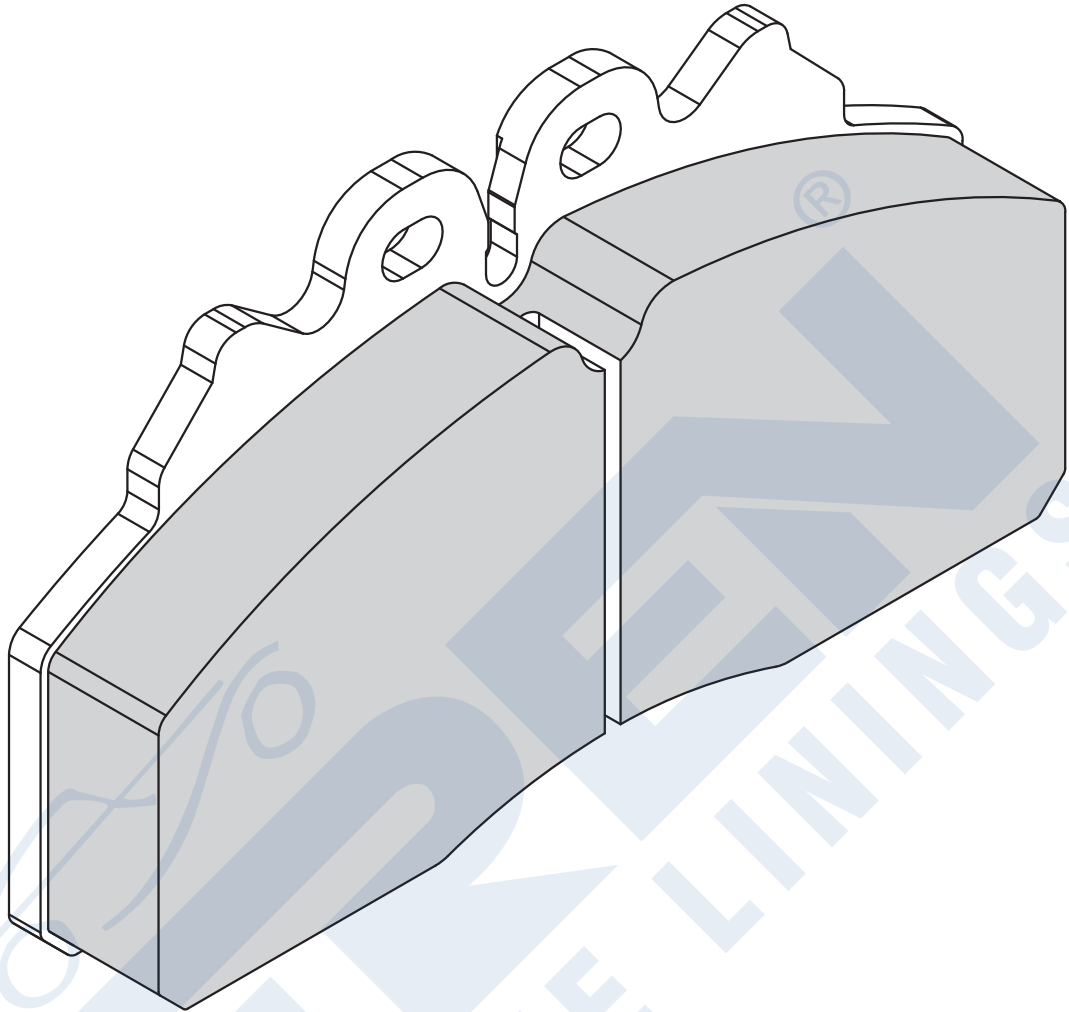
TRUCK, TRAILER & BUS BRAKE PADS REFERENCE NUMBERS AND DRAWINGS

EREN CODE	WVA CODE			ACCESSORY	APPLICATION FOR VEHICLES
D-253	29253	4	29,50	4 spring-2 cap-2 pin 2 washer-2 rubber cap 2 fixing spring 1 spanner	MERCEDES - IVECO - MAN







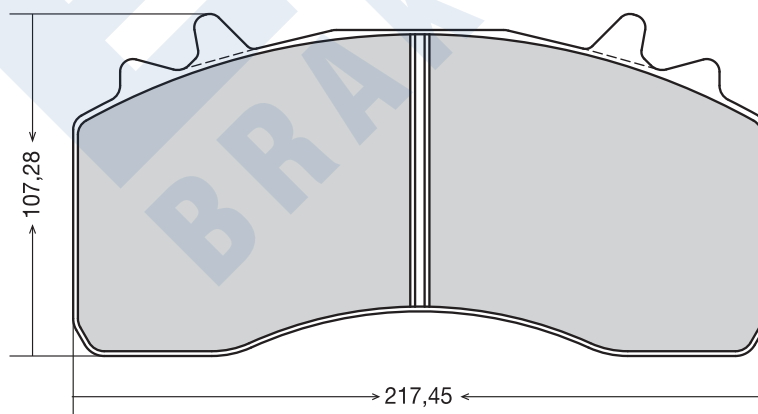
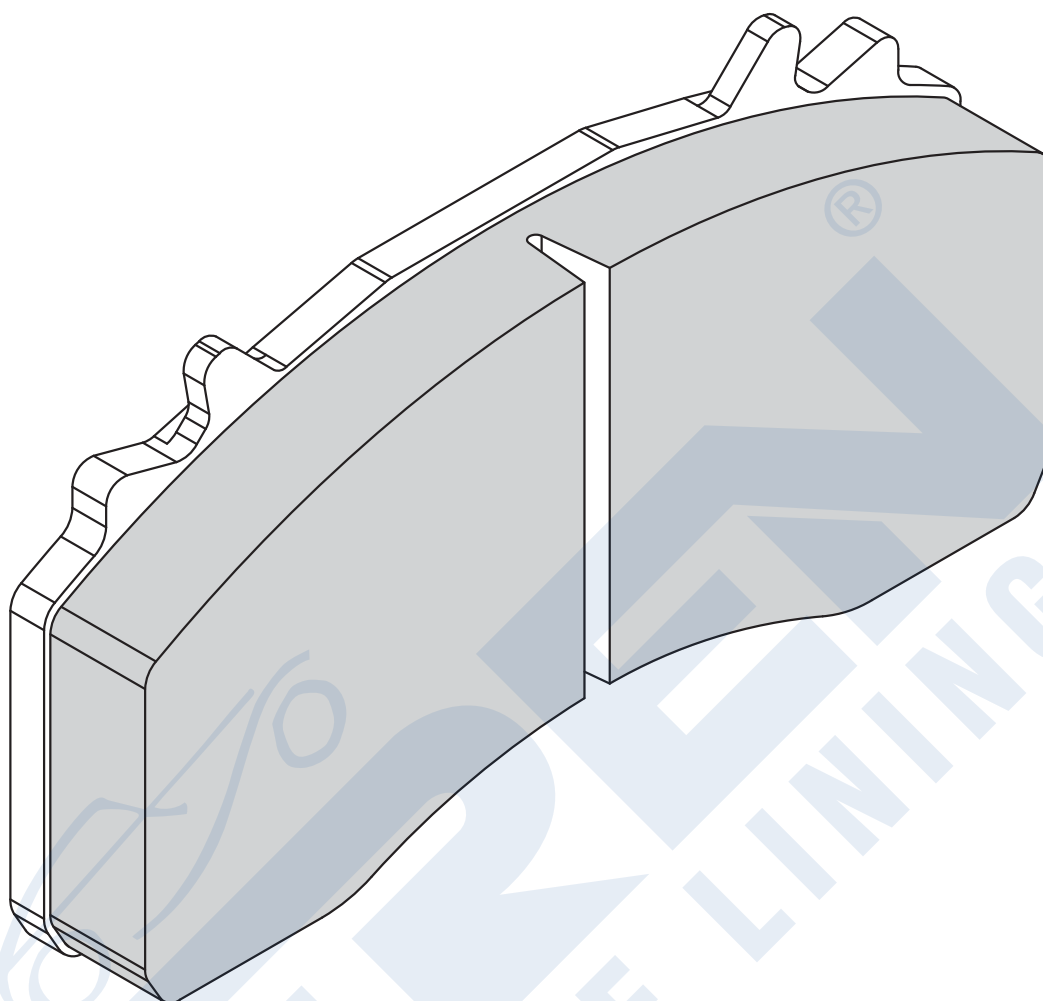
EREN CODE	WVA CODE			ACCESSORY	APPLICATION FOR VEHICLES
D-256	29256	4	27,00		IVECO EURO CARGO

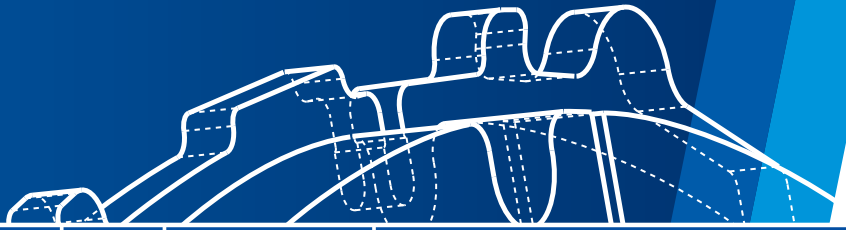




TRUCK, TRAILER & BUS BRAKE PADS

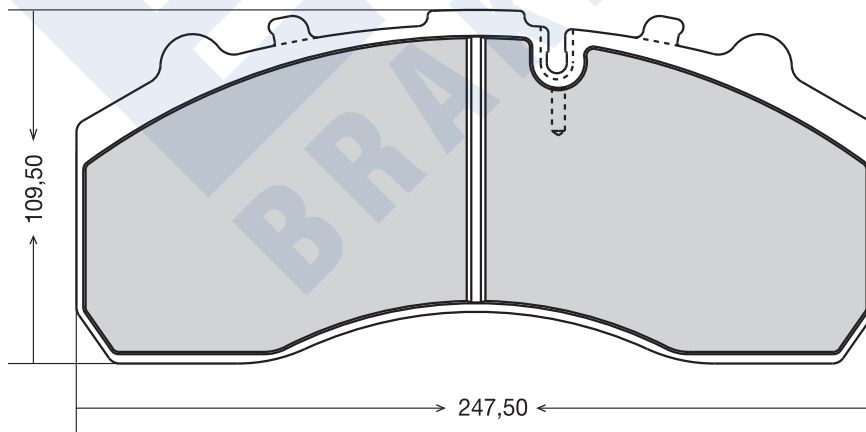
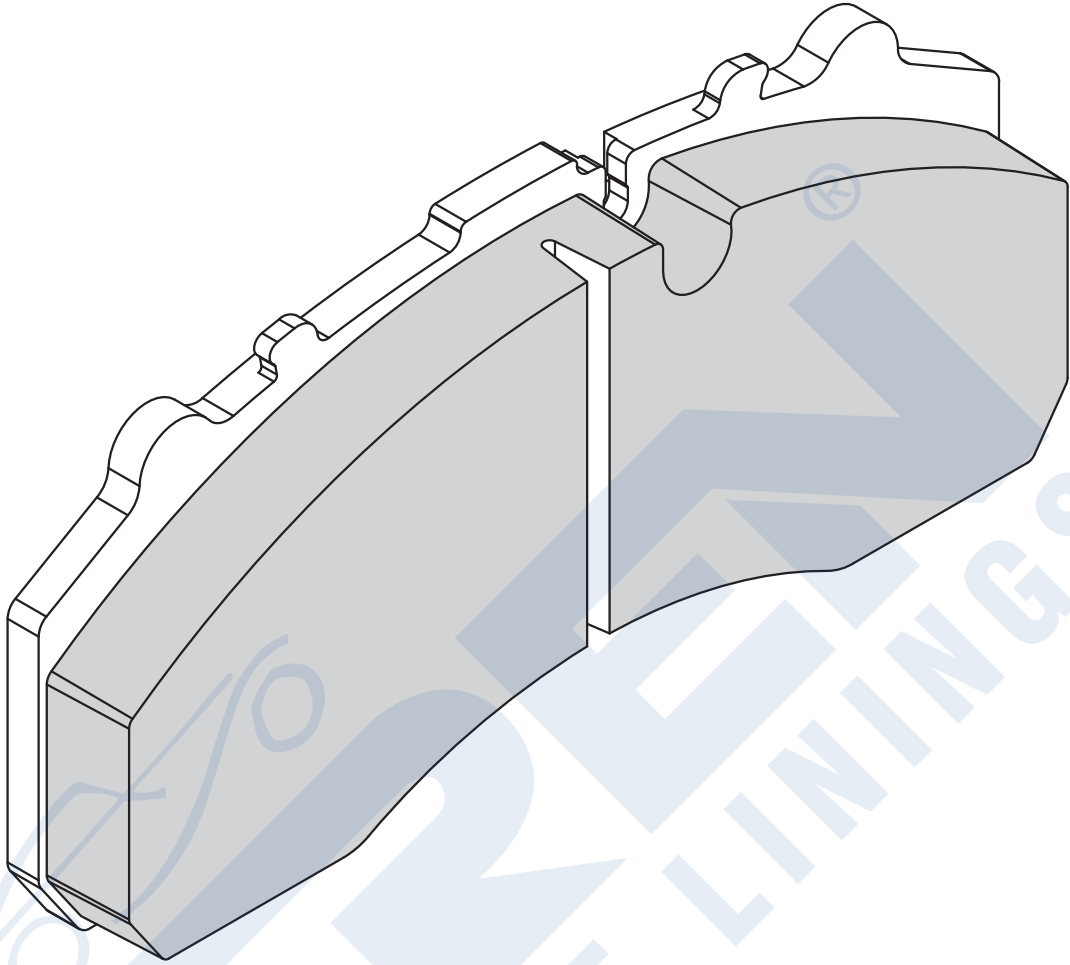
REFERENCE NUMBERS AND DRAWINGS

EREN CODE	WVA CODE			ACCESSORY	APPLICATION FOR VEHICLES
D-279	29279	4	30,50	4 spring, 2 fork 2 bolt, 2 cap	MAN TGX







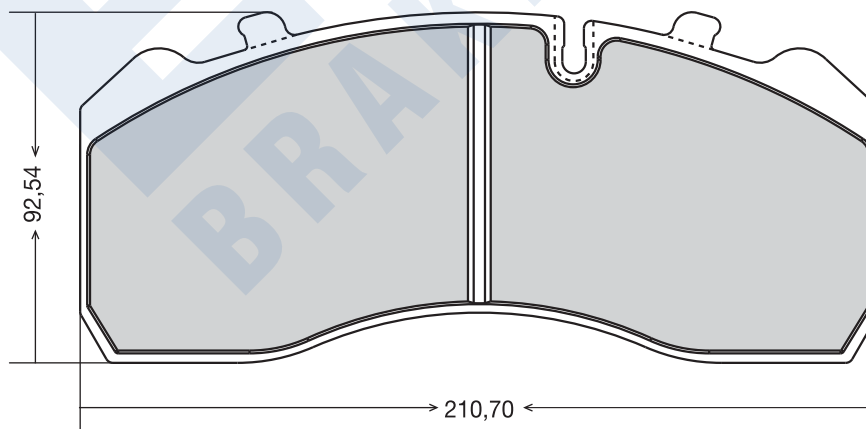
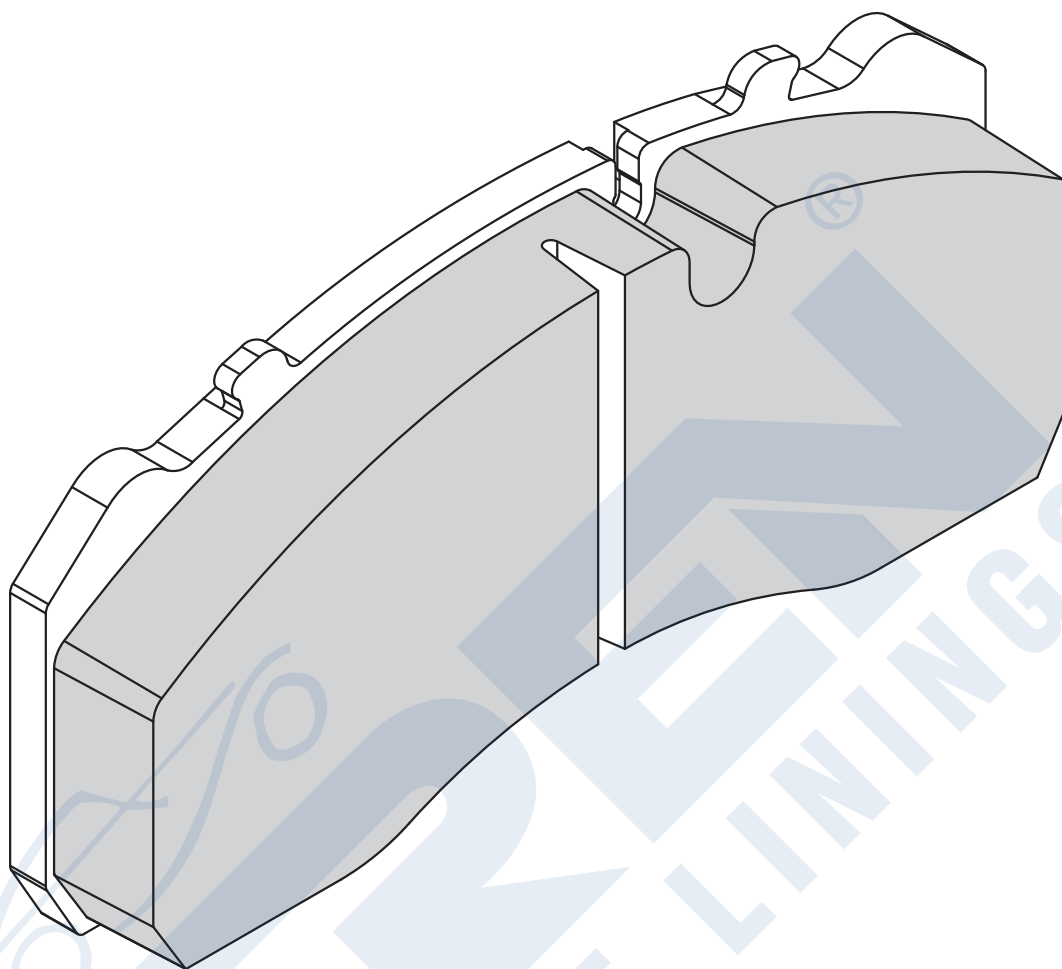
EREN CODE	WVA CODE			ACCESSORY	APPLICATION FOR VEHICLES
D-300	29087	4	29,50	4 spring-2 cap-2 pin 2 washer-2 rubber cap 2 fixing spring 1 spanner	MERCEDES AXOR-ACTROS / MAN TGA / IVECO / SCANIA

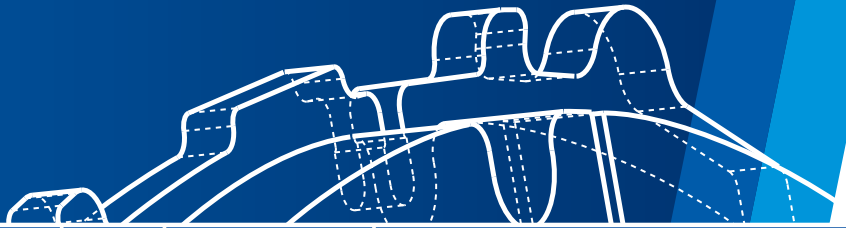




TRUCK, TRAILER & BUS BRAKE PADS

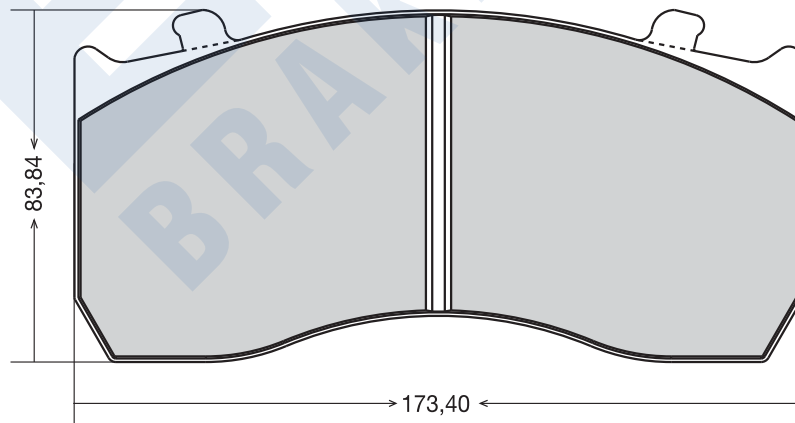
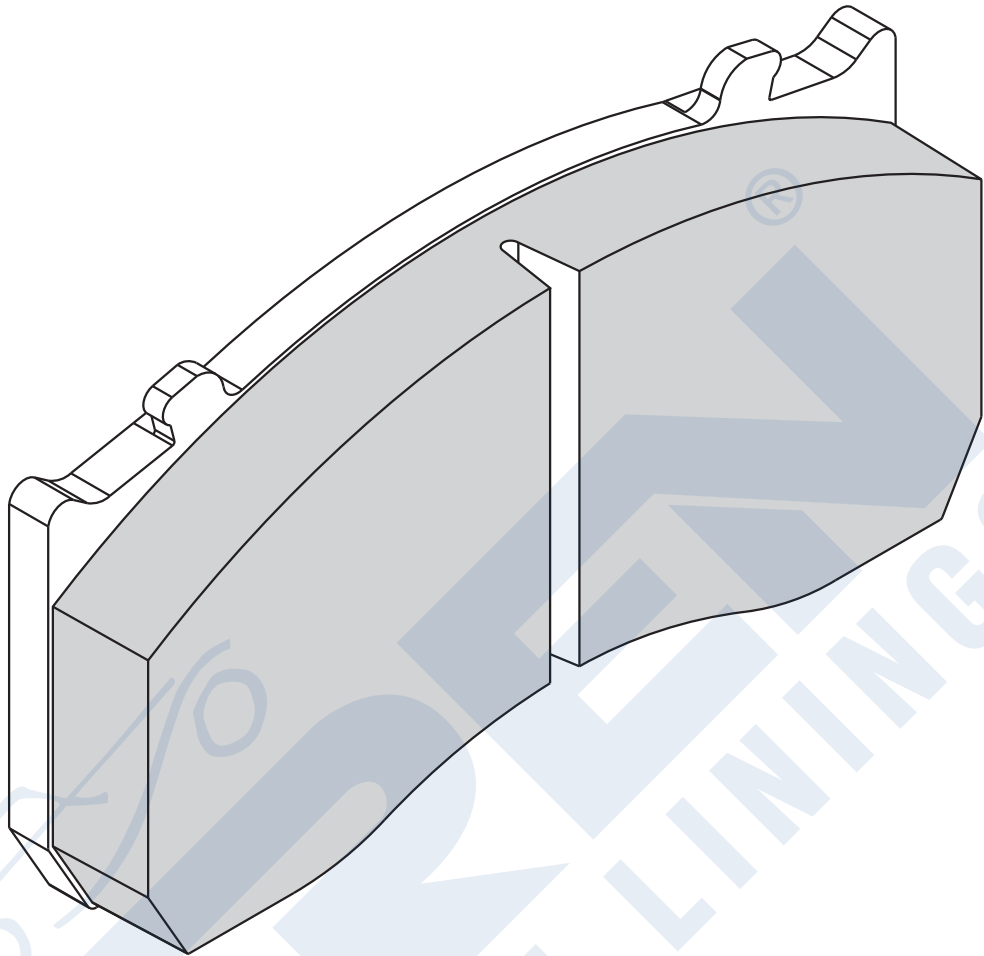
REFERENCE NUMBERS AND DRAWINGS

EREN CODE	WVA CODE			ACCESSORY	APPLICATION FOR VEHICLES
D-301	29094	4	29,50	4 spring-2 cap-2 pin 2 washer-2 rubber cap 2 fixing spring 1 spanner	MERCEDES ATEGO / BPW / DAF / MAN







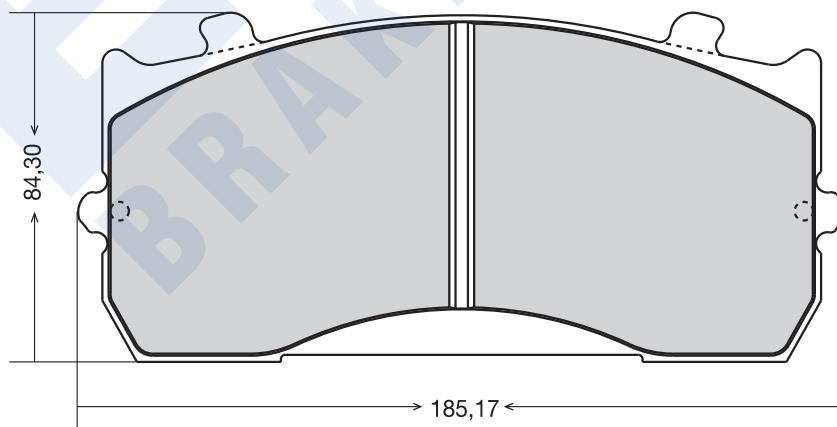
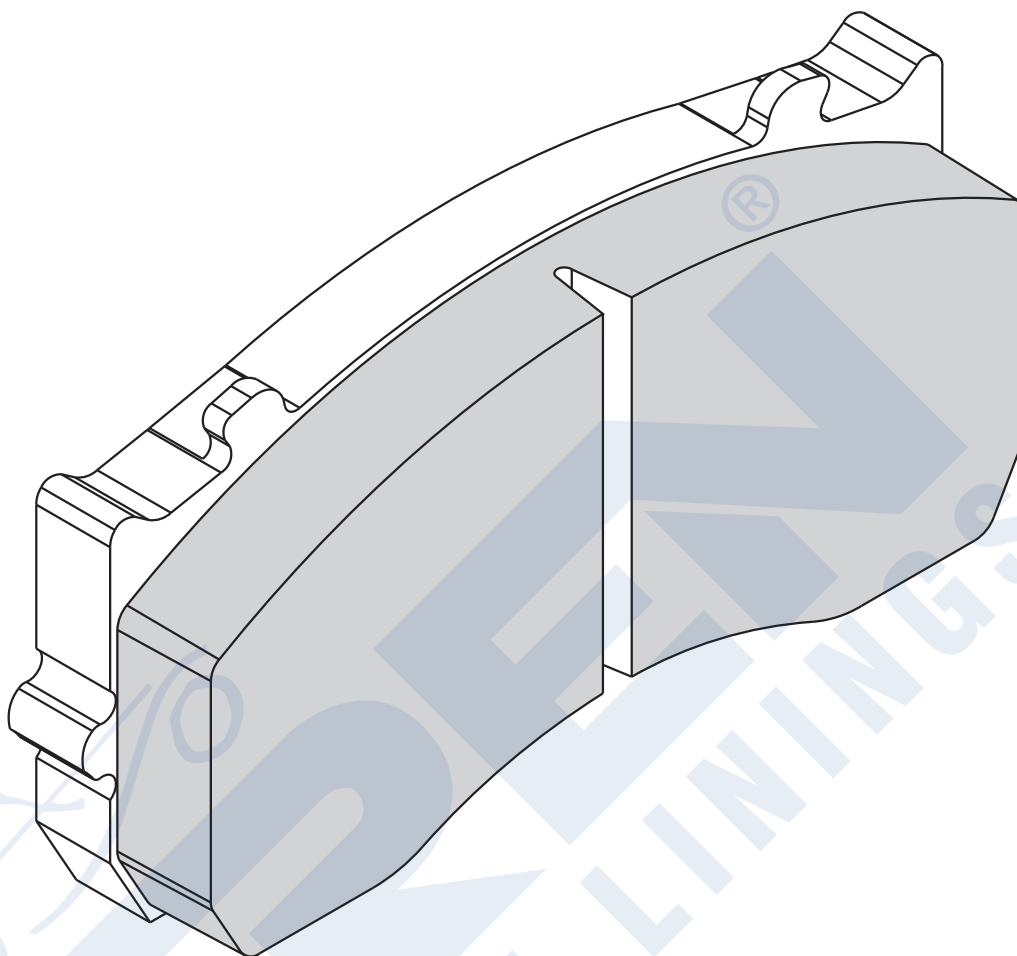
EREN CODE	WVA CODE			ACCESSORY	APPLICATION FOR VEHICLES
D-302	29115	4	27,00	4 spring	MERCEDES ATEGO / MAN TGL SERIES

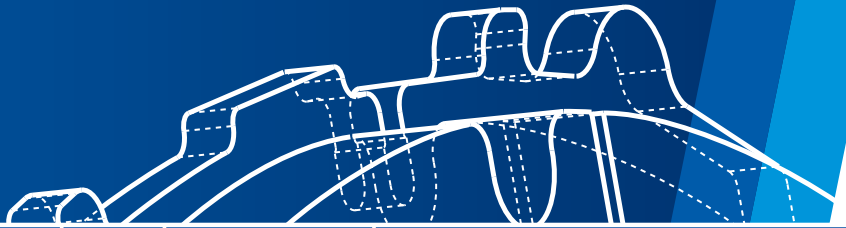




TRUCK, TRAILER & BUS BRAKE PADS

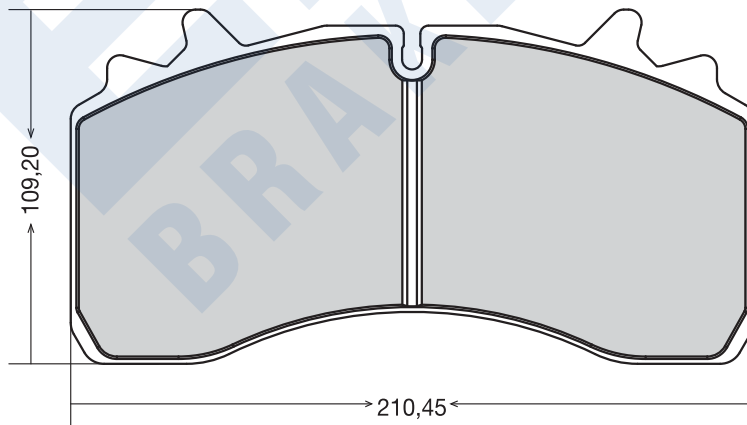
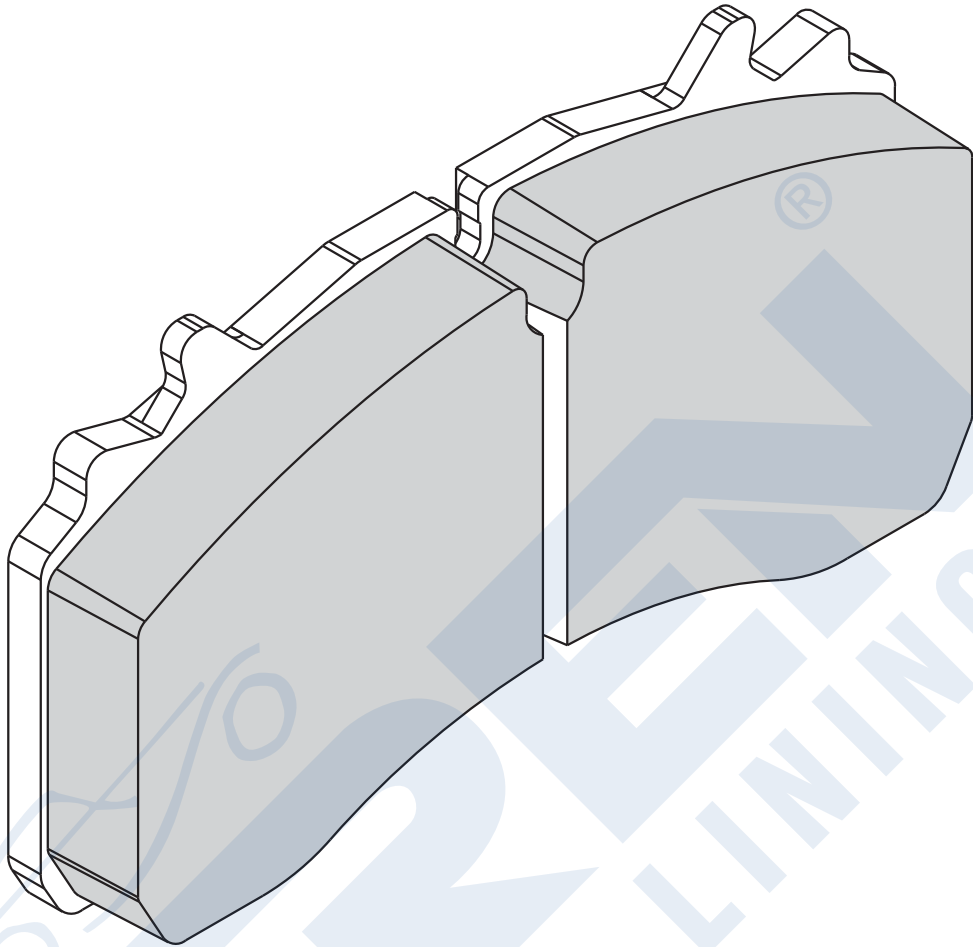
REFERENCE NUMBERS AND DRAWINGS

EREN CODE	WVA CODE			ACCESSORY	APPLICATION FOR VEHICLES
D-302/1	29148	4	34,00	4 spring-2 cap-2 pin 2 washer-2 rubber cap 2 fixing spring 1 spanner	MERCEDES ATEGO / MAN TGL SERIES





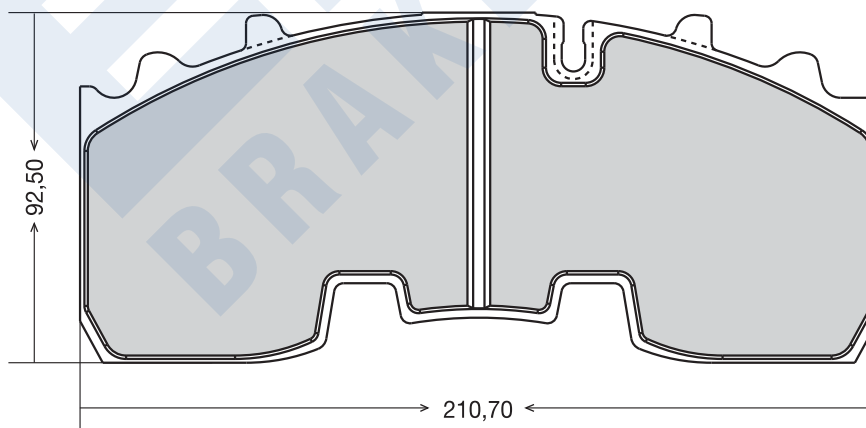
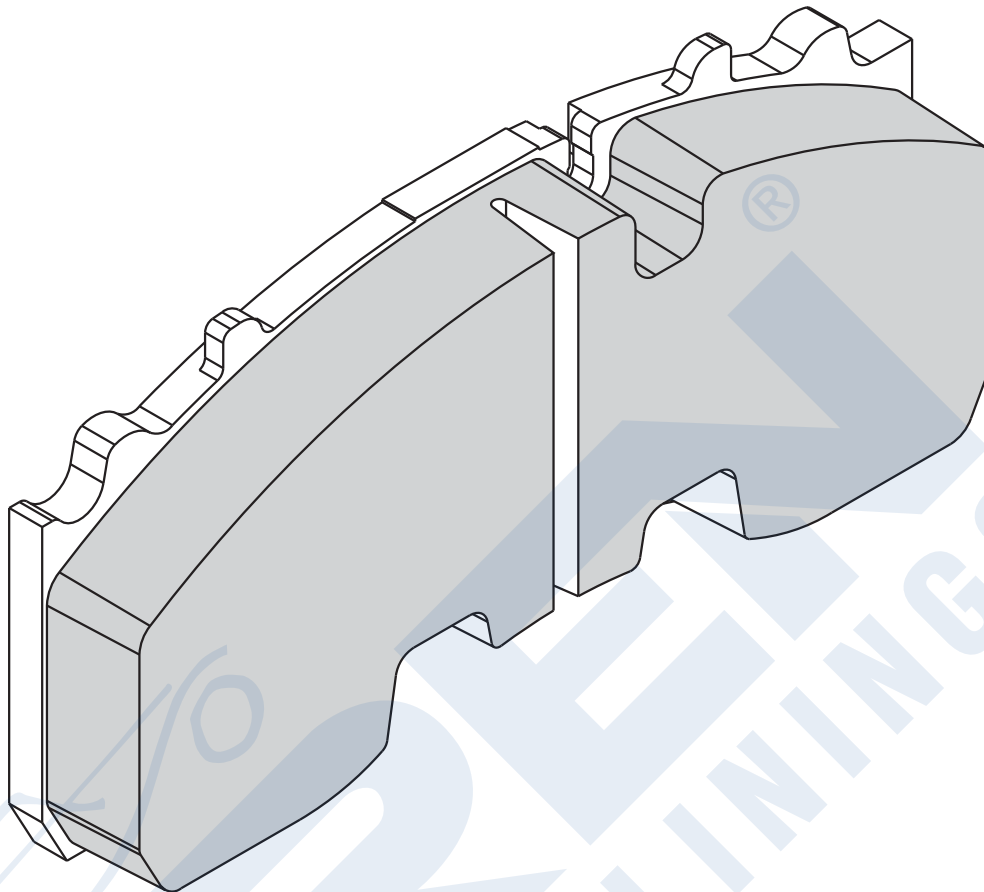


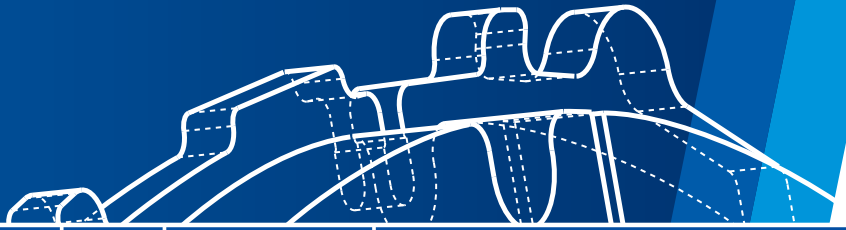
EREN CODE	WVA CODE			ACCESSORY	APPLICATION FOR VEHICLES
D-303	29162	4	30,00	4 spring - 2 fork 2 bolt - 2 cap	SAF AXLE





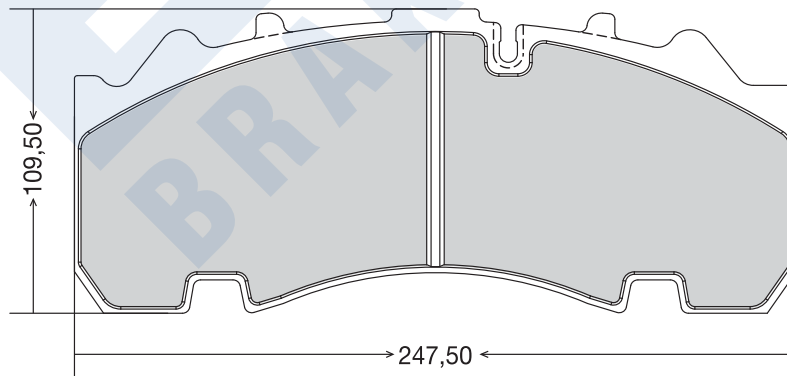
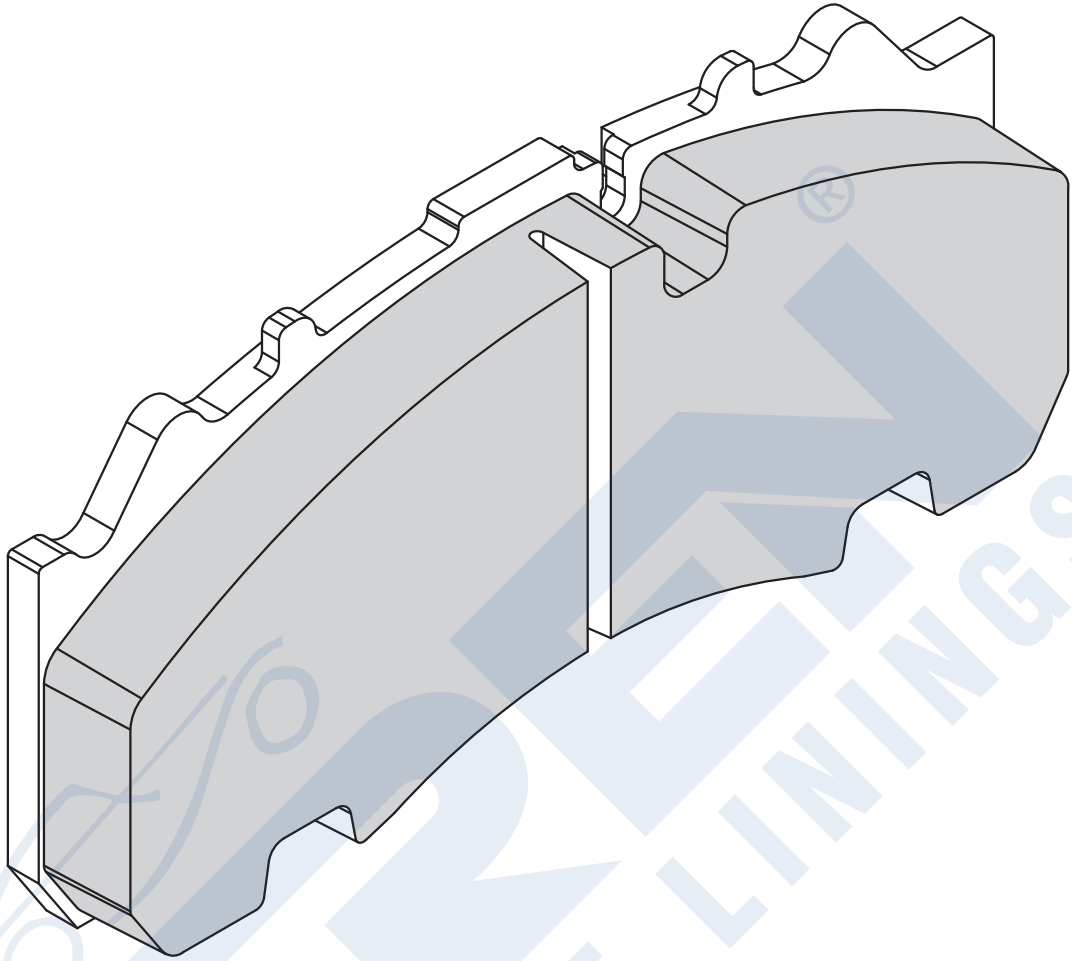
TRUCK, TRAILER & BUS BRAKE PADS REFERENCE NUMBERS AND DRAWINGS

EREN CODE	WVA CODE			ACCESSORY	APPLICATION FOR VEHICLES
D-306	29306	4	30,00	4 spring-2 cap-2 pin 2 washer-2 rubber cap 2 fixing spring 1 spanner	BPW TRAILER, KNORR SN6





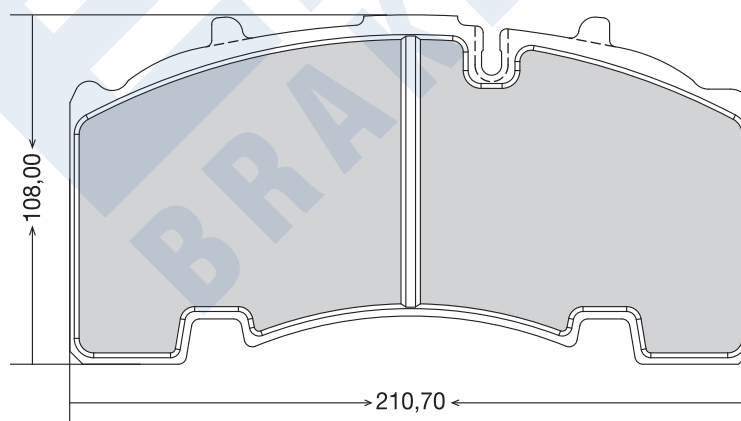
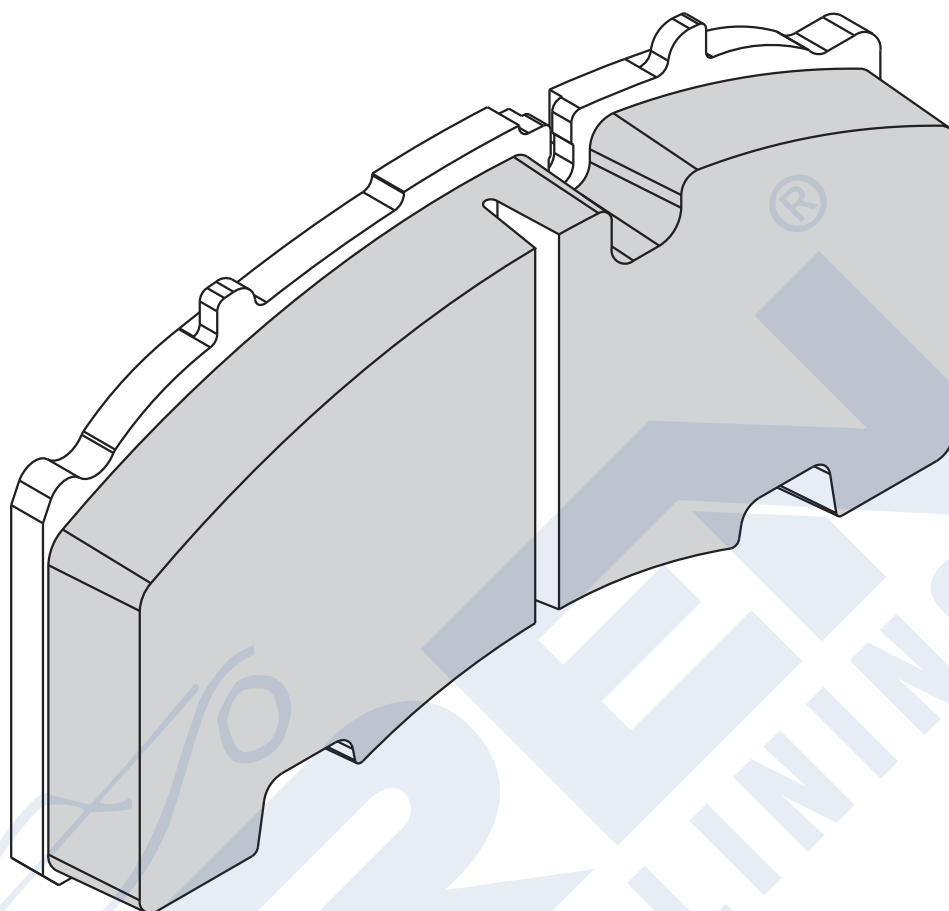


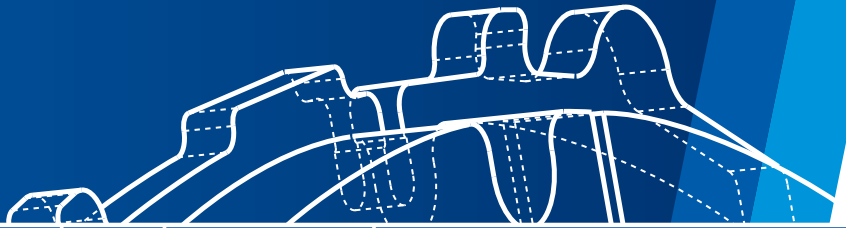
EREN CODE	WVA CODE			ACCESSORY	APPLICATION FOR VEHICLES
D-307	29307	4	30,00	4 spring-2 cap-2 pin 2 washer-2 rubber cap 2 fixing spring 1 spanner	BPW TRAILER, KNORR SN7




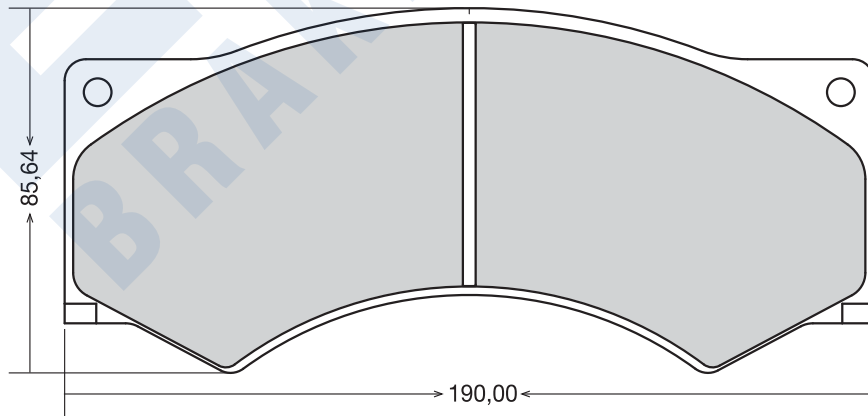
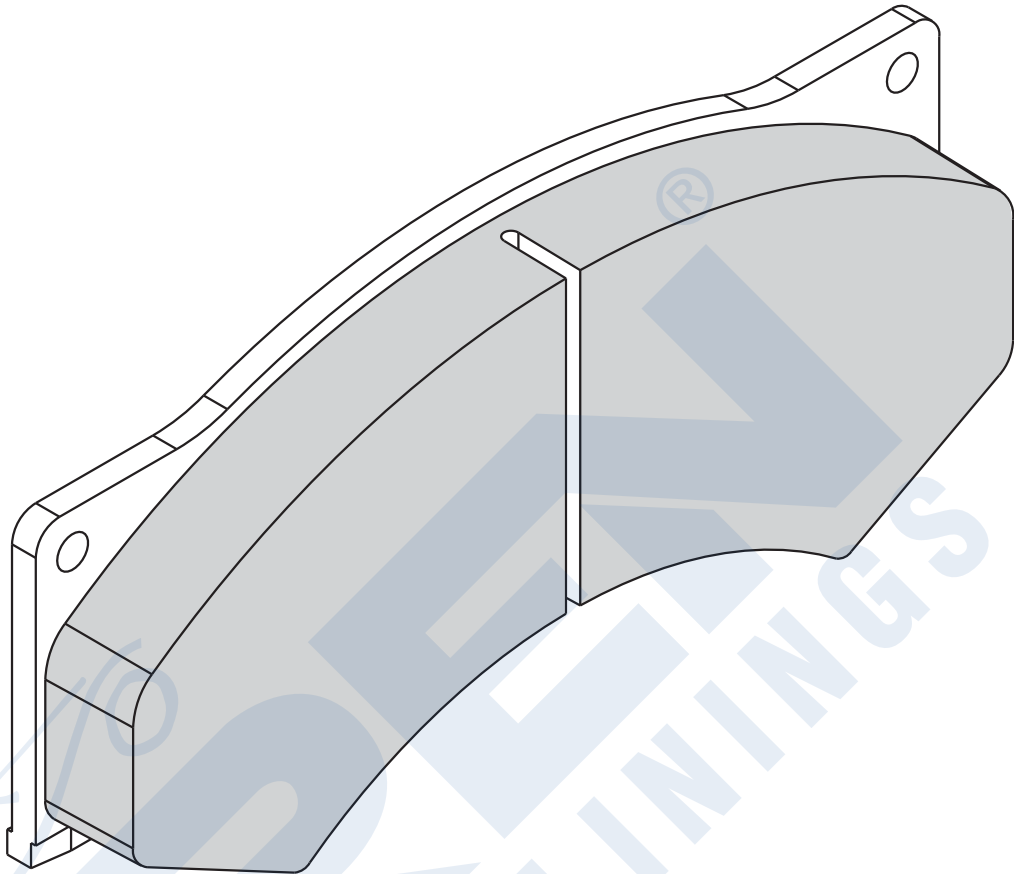
TRUCK, TRAILER & BUS BRAKE PADS REFERENCE NUMBERS AND DRAWINGS

EREN CODE	WVA CODE			ACCESSORY	APPLICATION FOR VEHICLES
D-308	29308	4	30,00	4 spring-2 cap-2 pin 2 washer-2 rubber cap 2 fixing spring 1 spanner	BPW TRAILER, KNORR SK7 MA7





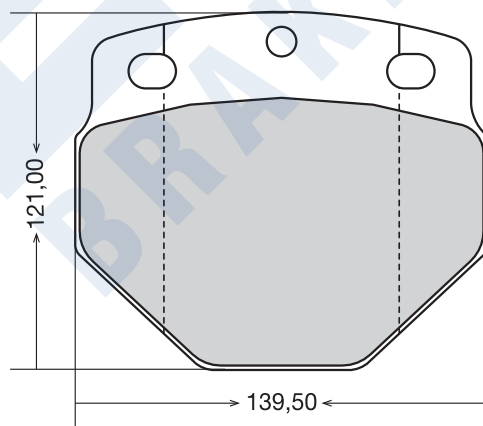
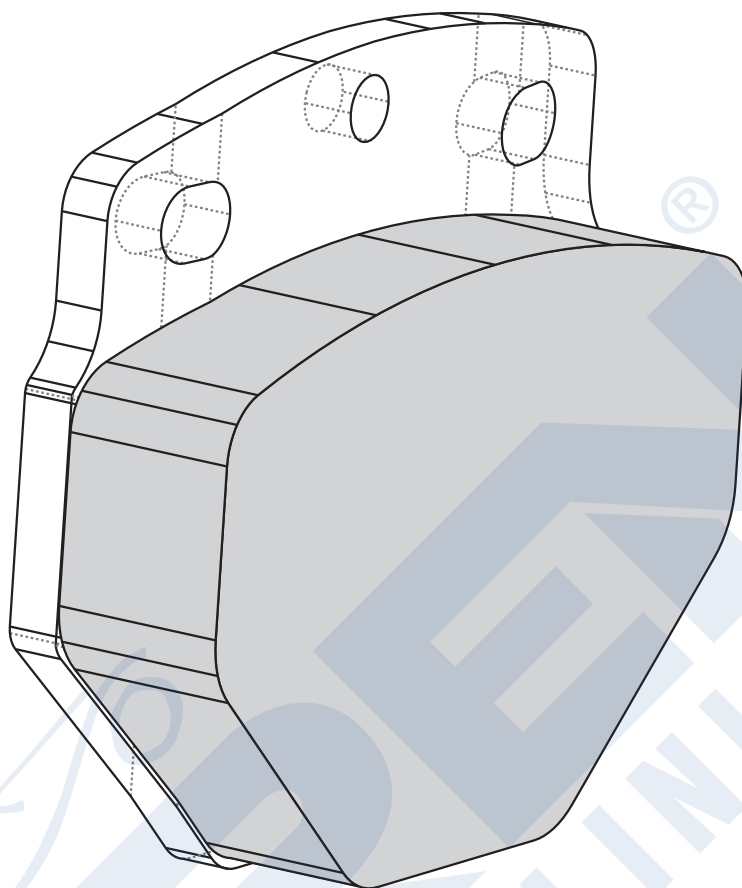


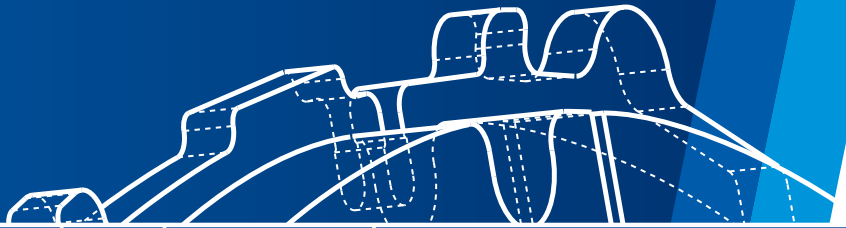
EREN CODE	WVA CODE			ACCESSORY	APPLICATION FOR VEHICLES
D-433	29024	8	23,00	2 wear sensor	FIAT IVECO 85.12 F. /DAF



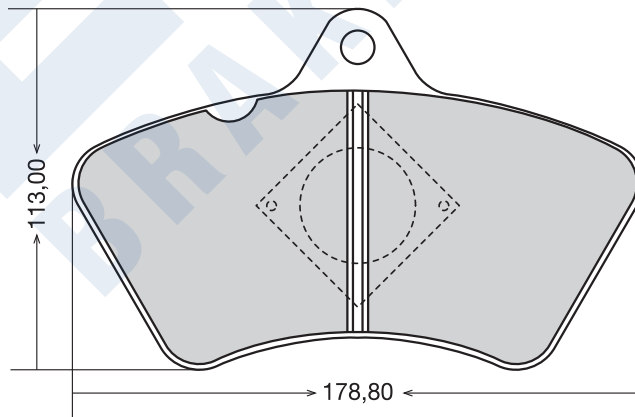
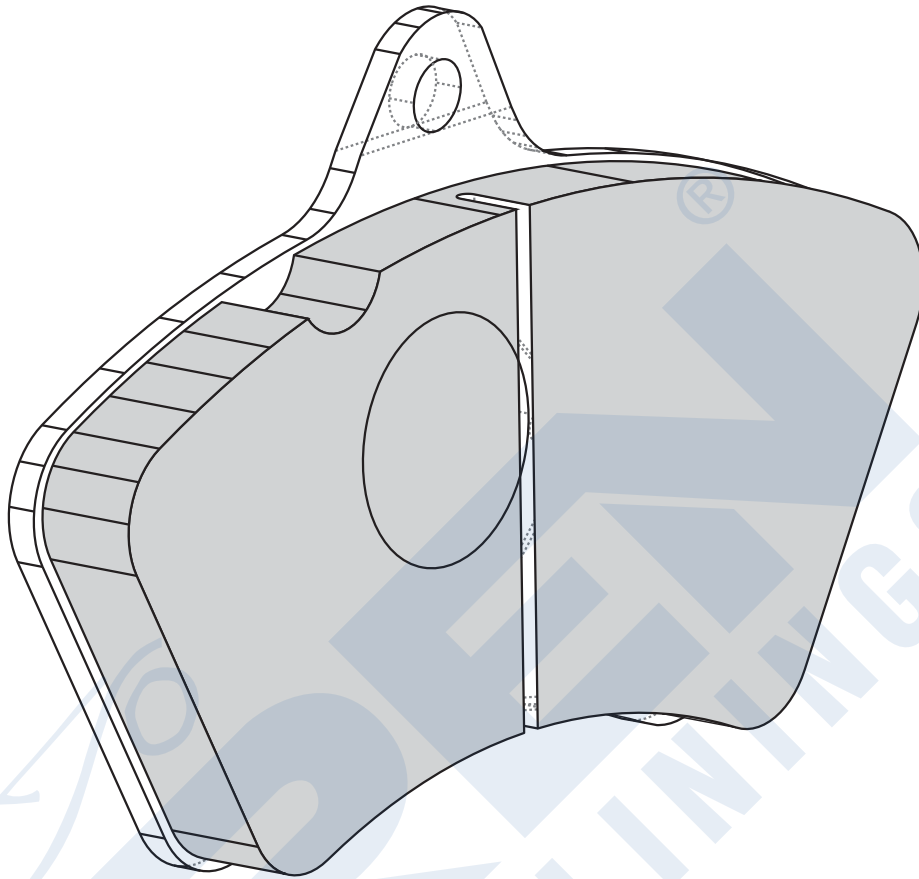
TRUCK, TRAILER & BUS BRAKE PADS REFERENCE NUMBERS AND DRAWINGS

EREN CODE	WVA CODE			ACCESSORY	APPLICATION FOR VEHICLES
D-434	29747	4	32,00		DAF BUS / KASSBOHRER / SETRA / VOLVO





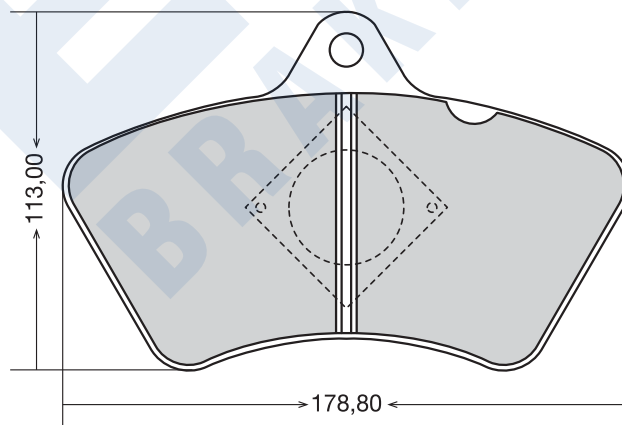
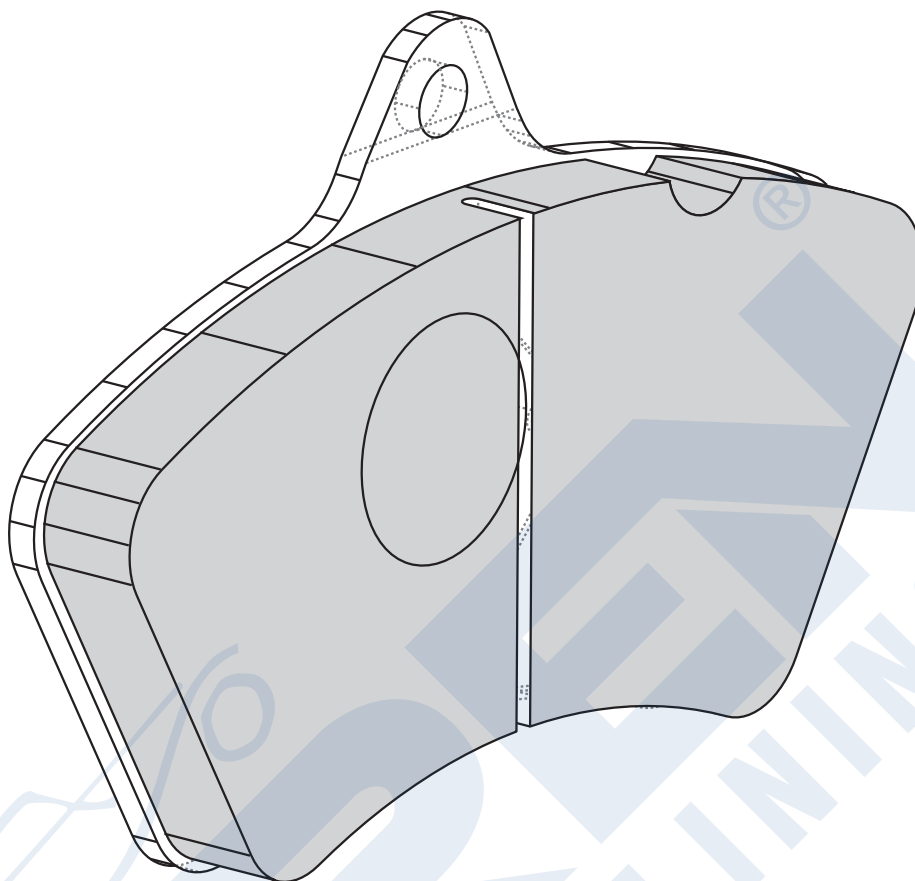


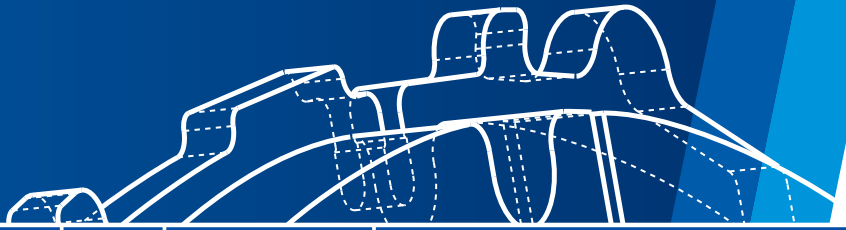
EREN CODE	WVA CODE			ACCESSORY	APPLICATION FOR VEHICLES
D-451	29498	8	20,00		KASSBOHRER SETRA 215 BUS





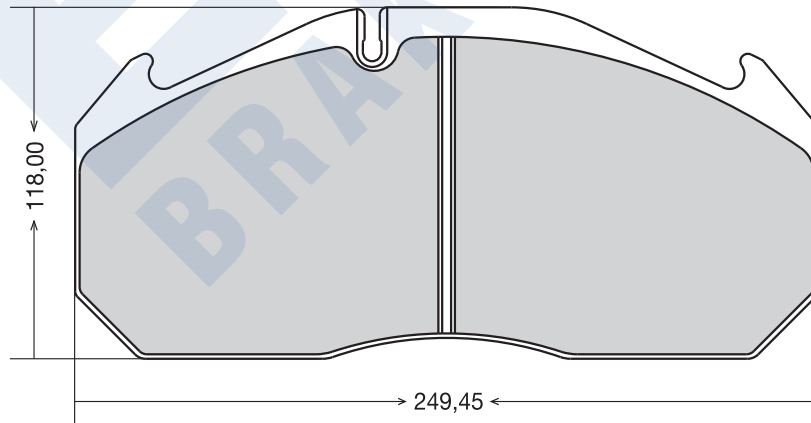
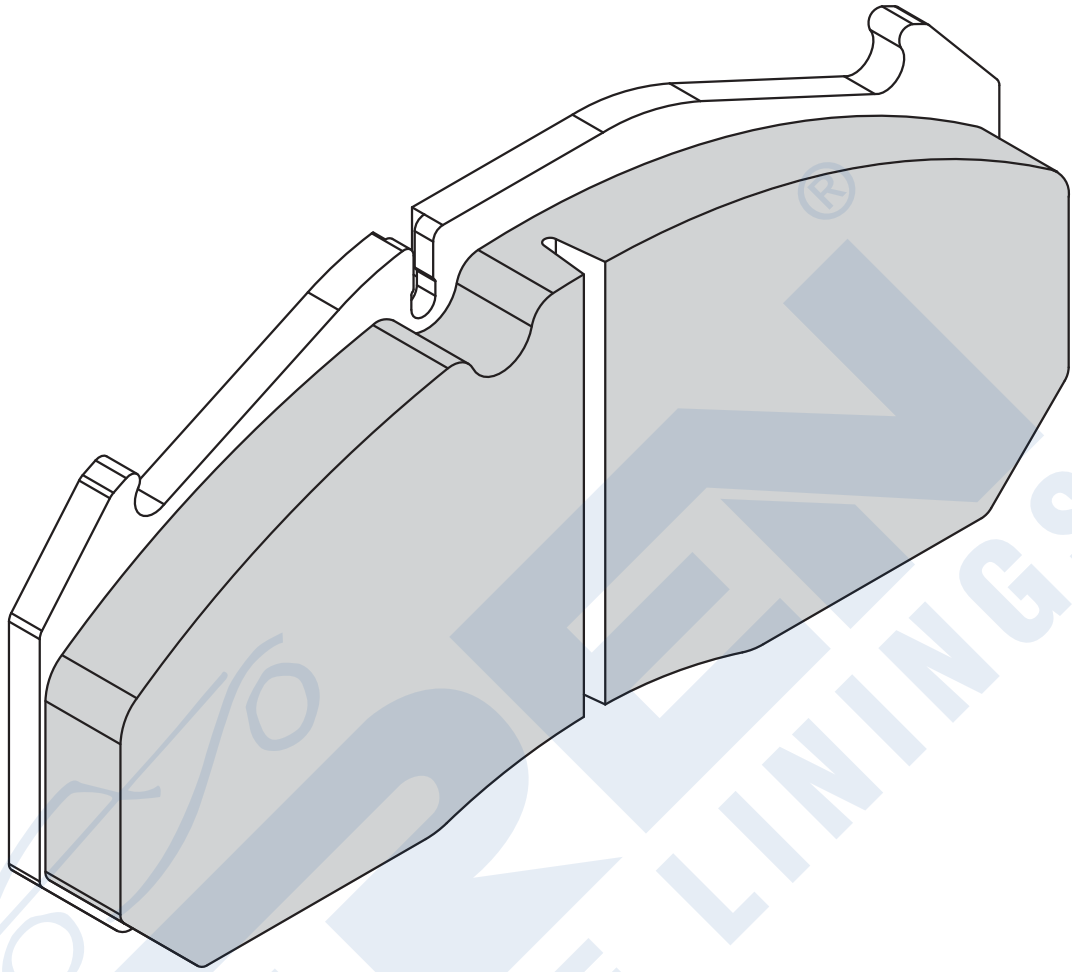
TRUCK, TRAILER & BUS BRAKE PADS REFERENCE NUMBERS AND DRAWINGS

EREN CODE	WVA CODE			ACCESSORY	APPLICATION FOR VEHICLES
D-475	29582	8	22,00		KASSBOHRER SETRA BUS







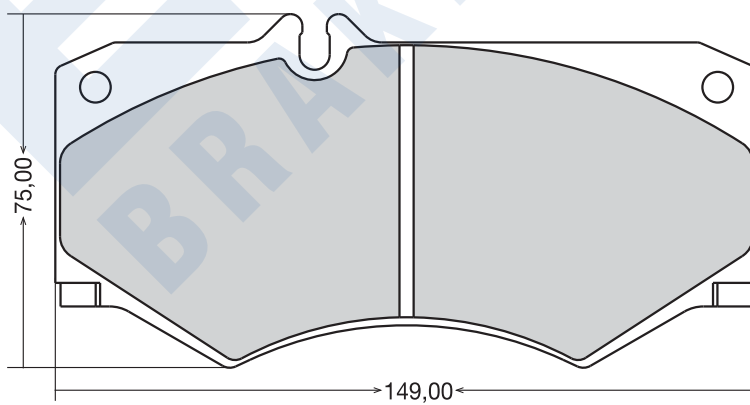
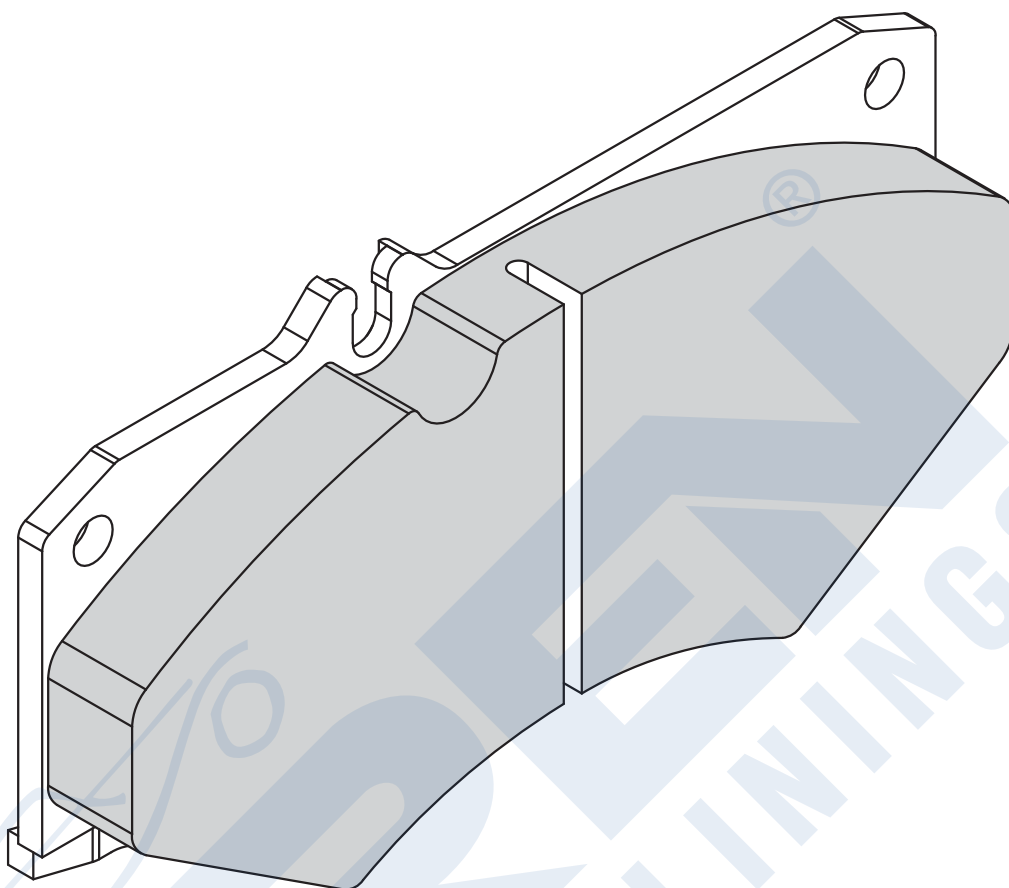
EREN CODE	WVA CODE			ACCESSORY	APPLICATION FOR VEHICLES
D-497	29030	4	28,00	4 spring 2 wear sensor 10 pin	MERCEDES 0 403 FRONT/MAN S 2000 / RENAULT MAGNUM FRONT

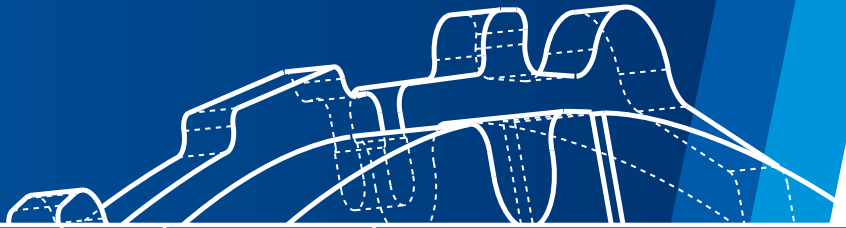


TRUCK, TRAILER & BUS BRAKE PADS

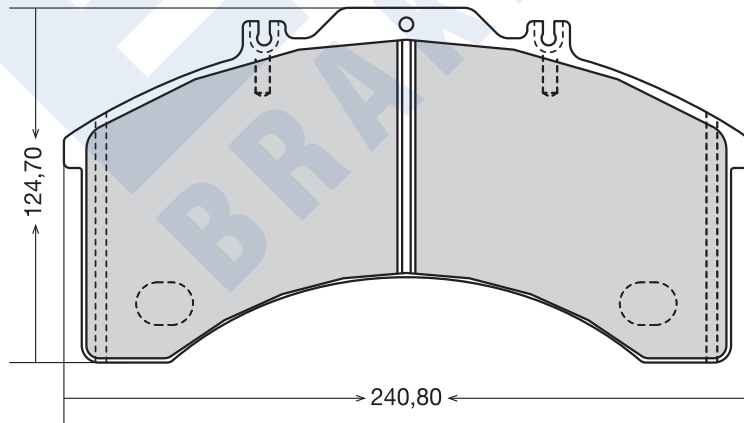
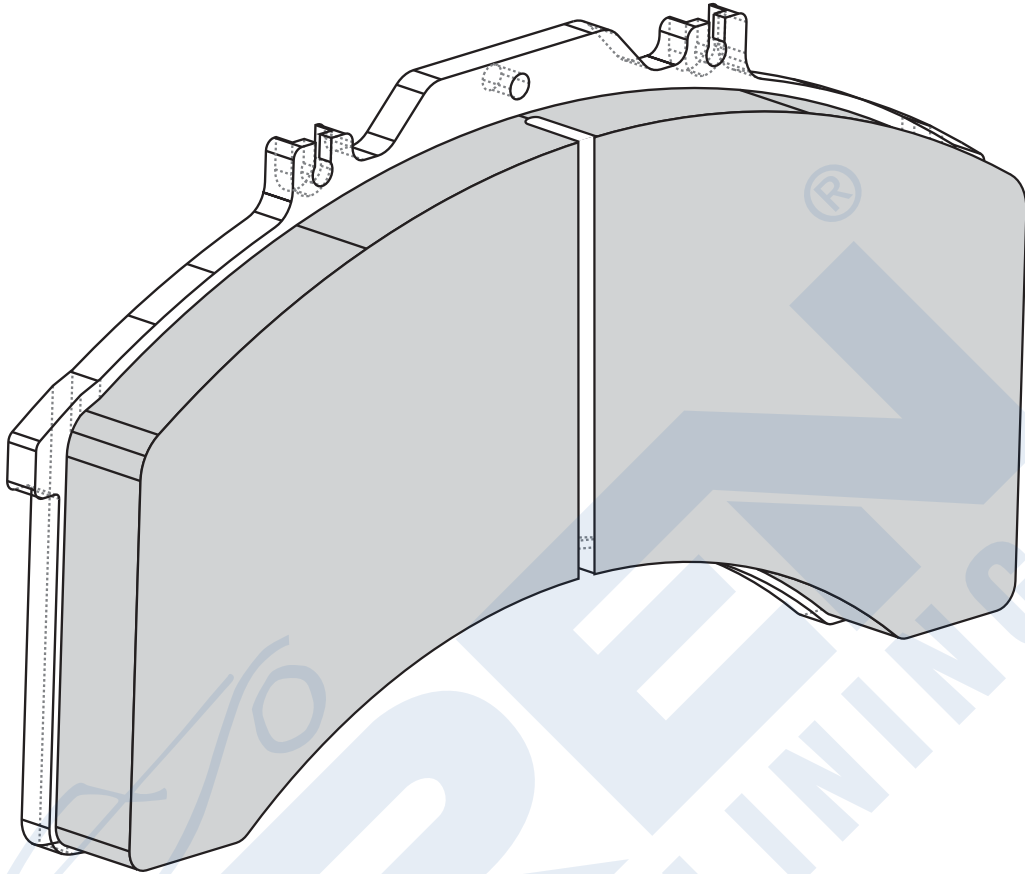
REFERENCE NUMBERS AND DRAWINGS

EREN CODE	WVA CODE			ACCESSORY	APPLICATION FOR VEHICLES
D-513	20784	4	18,00		MERCEDES L SERIES 207-208-307-407-508 VOLKSWAGEN







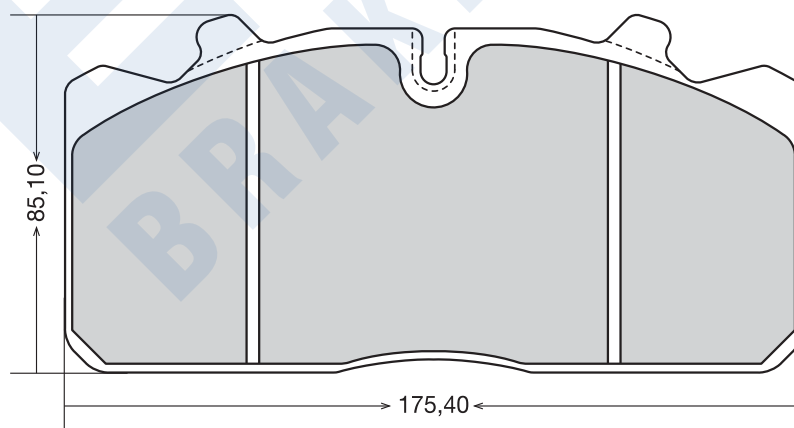
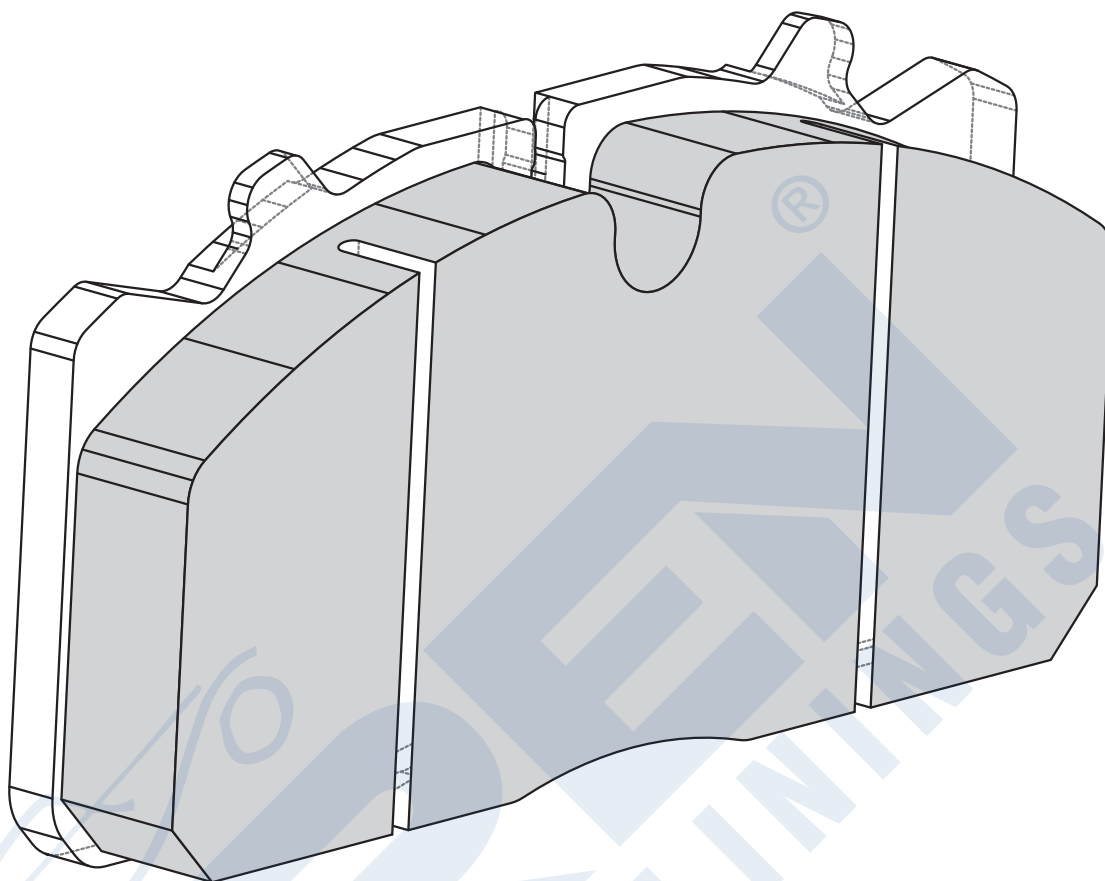
EREN CODE	WVA CODE			ACCESSORY	APPLICATION FOR VEHICLES
D-525	29011	4	25,00	2 wear sensor	IVECO / EUROTECH - EUROSTAR

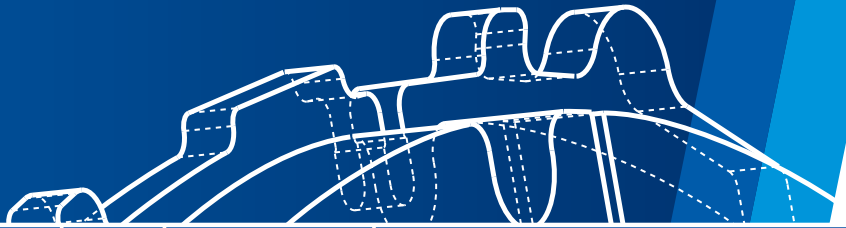



TRUCK, TRAILER & BUS BRAKE PADS

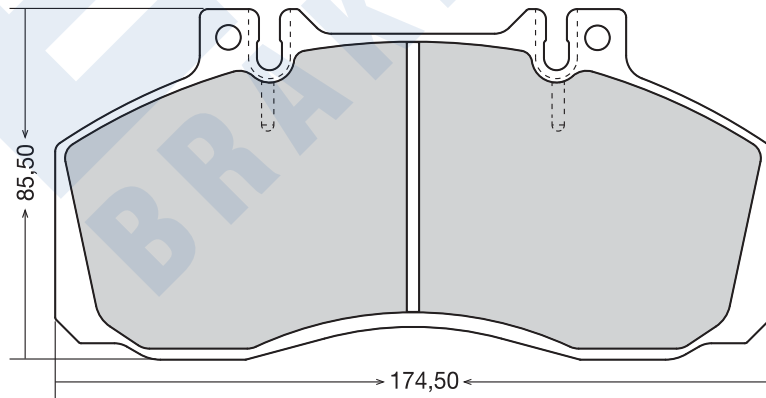
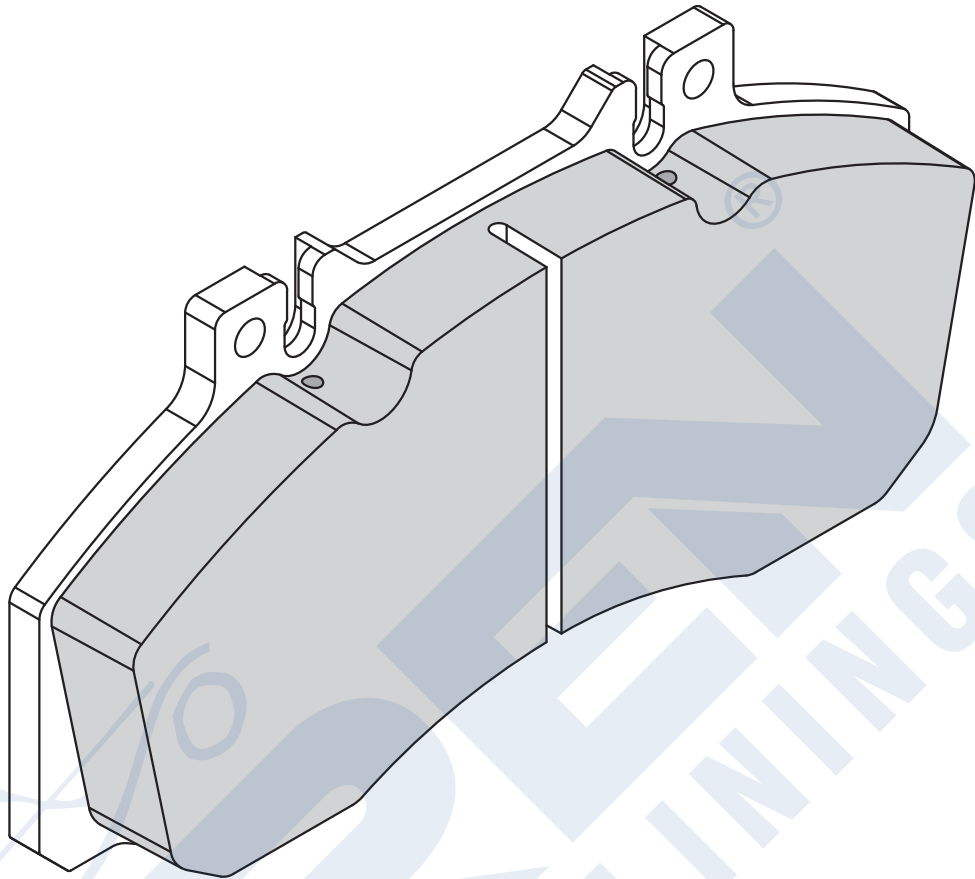
REFERENCE NUMBERS AND DRAWINGS

EREN CODE	WVA CODE			ACCESSORY	APPLICATION FOR VEHICLES
D-565	29088	4	25,00	6 spring - 2 cap 2 bolt - 2 fork 2 wear sensor	DAF LF / MAN L-M SERIES / BMC PROBUS REAR / PRO 522





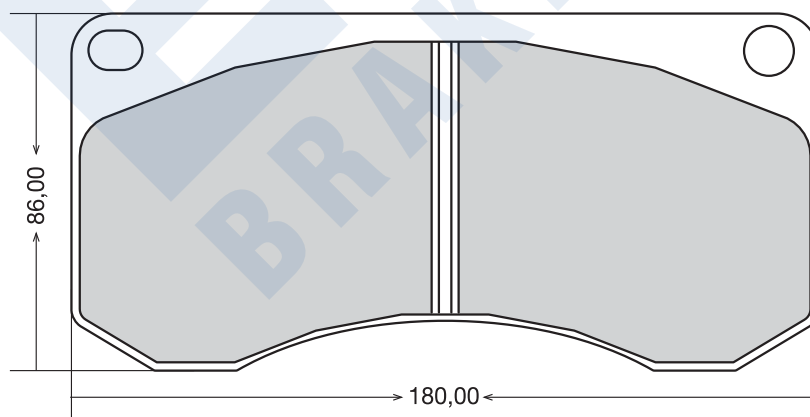
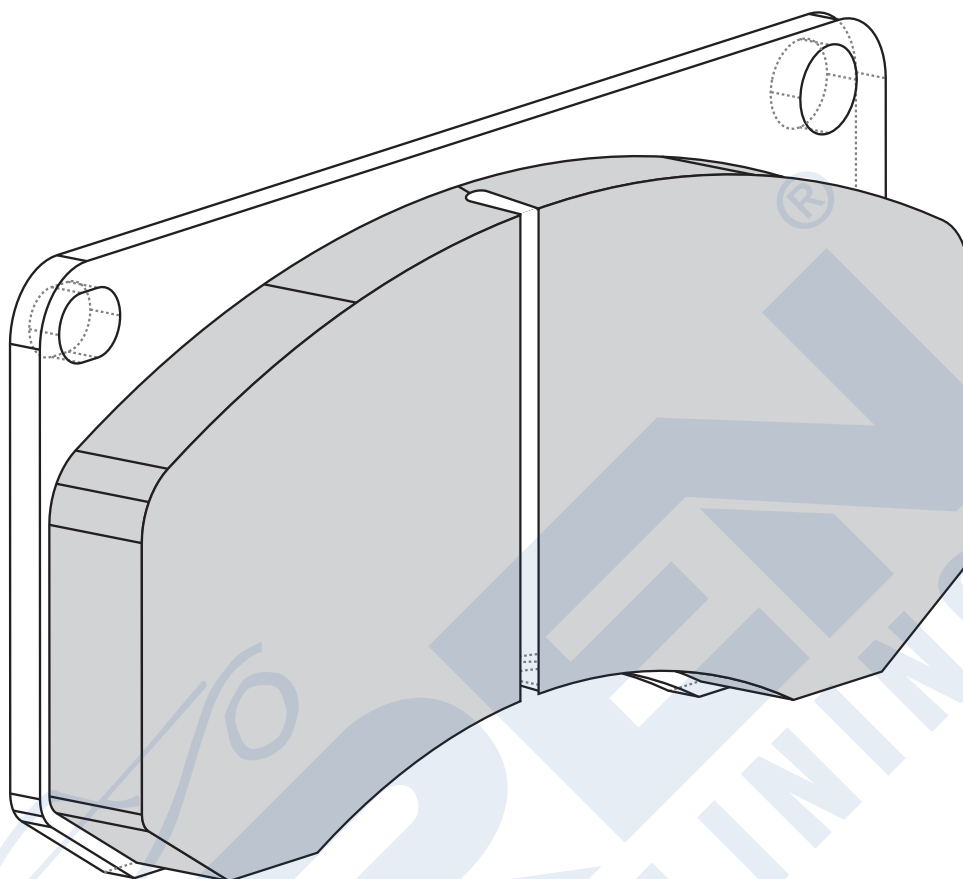


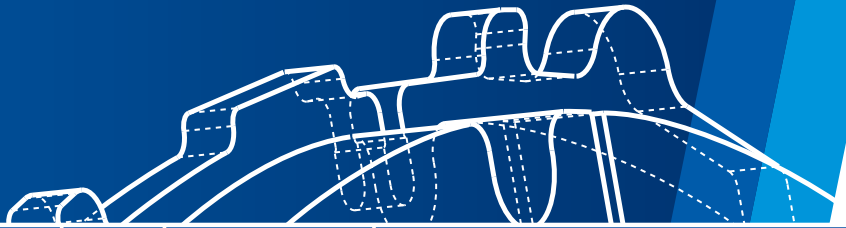
EREN CODE	WVA CODE			ACCESSORY	APPLICATION FOR VEHICLES
D-679	29835	4	21,70		MERCEDES / IVECO





TRUCK, TRAILER & BUS BRAKE PADS REFERENCE NUMBERS AND DRAWINGS

EREN CODE	WVA CODE			ACCESSORY	APPLICATION FOR VEHICLES
D-946	-	4	20,50		RENAULT





EREN CODE	WVA CODE			ACCESSORY	APPLICATION FOR VEHICLES
D-950	29090	4	28,00	4 spring 2 wear sensor 8 caliper spring 8 pin	RENAULT MAGNUM - PREMIUM / VOLVO B12

